



Service Parts & Dimensions

6000-100.50

Effective: February, 2001 (Replaces February, 1998)

100 SCFM Aerosol Filter

Max. Pressure: 150 psig

Model: 2160-3-5

Rating: 98%, 0.1 micron

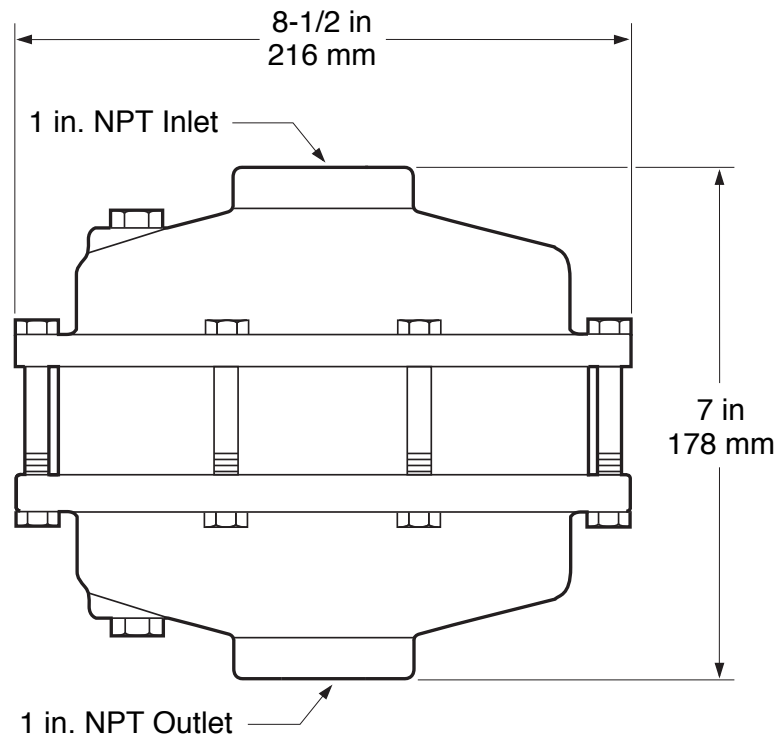
Temperature Limit: 200°F/93°C

Rated Flow: 100 SCFM

Connections: 1" NPT

Material: Aluminum

Element: Type 800



Cartridge Replacement

Item	Part Number	Qty.	Description
1	9326-241	1	Type 800 Polisher
2	9316-39	2	O-Ring
3	10143-13	8	Hex Head Cap Screw
4	8763-9	8	Hex Nut
5	8119-12	2	1/4" Pipe Plug

Under normal operating conditions, the only servicing which need be done to a King Filter is to change the cartridges. The number of times that this must be done will vary with each installation. Generally, the cartridges are changed when the pressure drop across the filter becomes objectionable.

