

# Sanitary Media Air Filters

## Quick-Release Housing with Disposable Element

Sanitary media filters are intended for end-use applications involving compressed air in contact with dairy and food products. These filters are specifically designed to meet applicable 3-A Sanitary Standards as outlined in Publication Number 604-04\*. The filter media disc is rated at 99.9% efficiency (DOP test method).

These filters are intended for use with air agitation systems, for drying product contact surfaces, or when incorporating air into dairy/food products. The disposable glass fiber filter disc element is housed within an approved stainless steel sanitary fitting.

Sanitary media filters can be used for applications with flow rates up to 120 SCFM @ 100 psig.

### Disposable Filter Discs

Sanitary media discs are easily removed with the quick-release housing design. These filtering discs should be replaced on a frequent basis to maintain air cleanliness. Replacement discs are available in 20-count packs, carefully sealed to ensure they are free of contaminant until installed.



\* 3-A Accepted Practices for Supplying Air Under Pressure in Contact with Milk, Milk Products and Product Contact Surfaces".

© Registered trademark of 3-A Sanitary Standards, Inc.



### Specifications

#### Rated Flow -

120 SCFM @ 100 psi  
3400 L/min @ 7 kg/cm<sup>2</sup>  
200 m<sup>3</sup>/hr @ 7 bar

#### Efficiency -

99.9% (DOP test method)

#### Physical Data -

Housing - 304 S.S.  
Weight - 5 lbs.

#### Connections (Inlet/Outlet) -

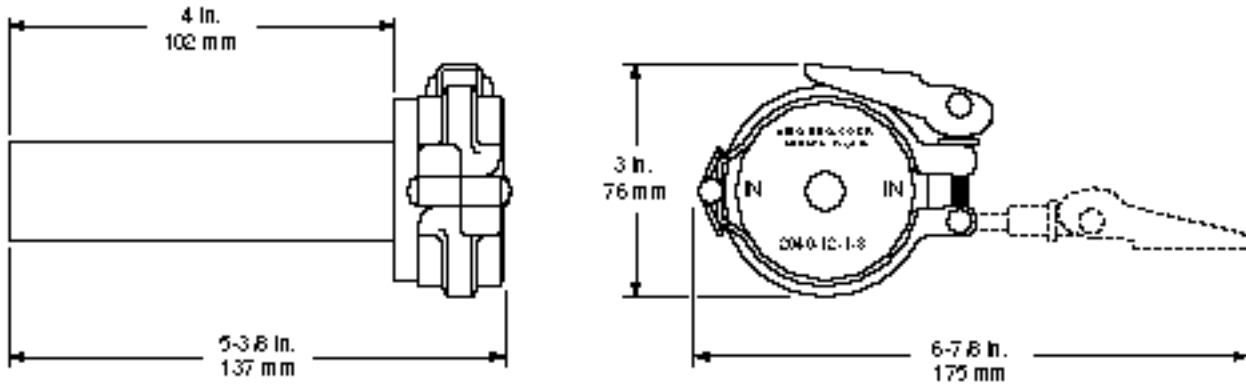
See pages 2 & 3

#### Rating

0.3 micron

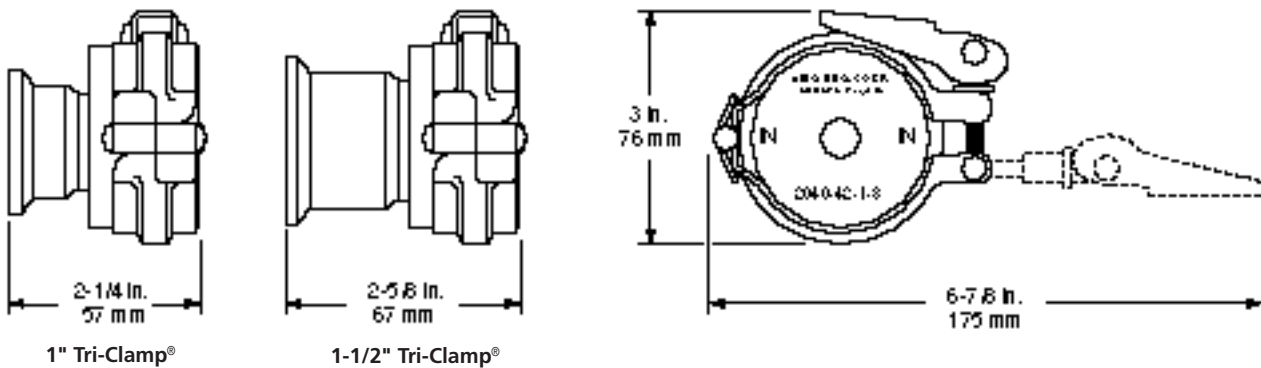
#### Temperature Rating -

Up to 200°F/93°C



**Sanitary Tubing Stub (4" Length)**

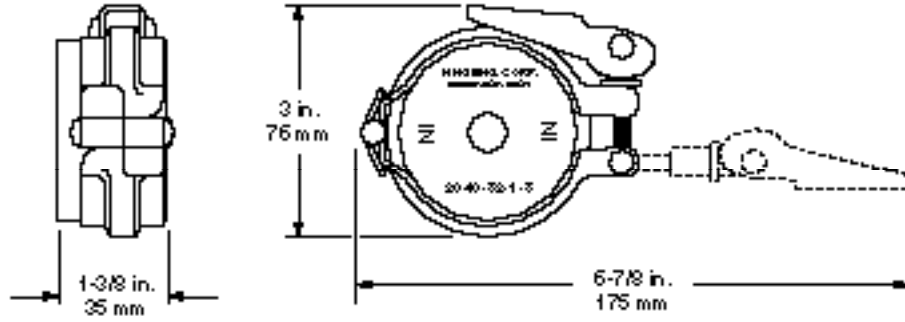
Outlet	Inlet	Part Number	Shipping Weight
1"	1/4" NPT	2040-12-1-8	5 lbs.
1"	1/2" NPT	2040-14-1-8	5 lbs.
1-1/2"	1/4" NPT	2040-12-1-12	5 lbs.
1-1/2"	1/2" NPT	2040-14-1-12	5 lbs.



**Tri-Clamp® Outlet**

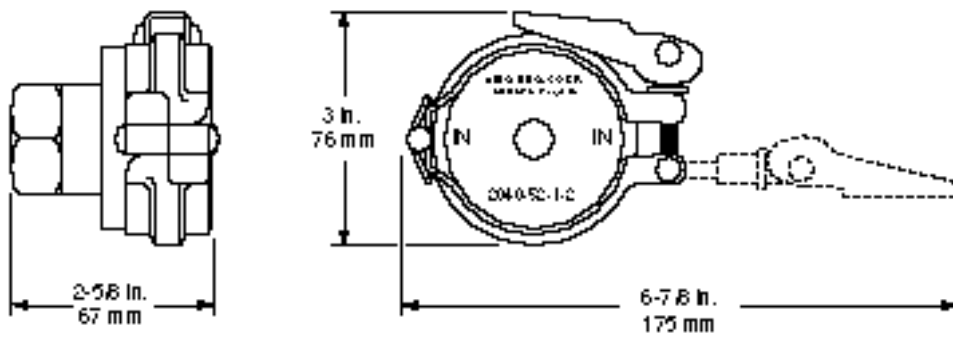
Outlet	Inlet	Part Number	Shipping Weight
1"	1/4" NPT	2040-42-1-8	5 lbs.
1"	1/2" NPT	2040-44-1-8	5 lbs.
1-1/2"	1/4" NPT	2040-42-1-12	5 lbs.
1-1/2"	1/2" NPT	2040-44-1-12	5 lbs.

© Registered Trademark of Tri-Clover, Inc.



**Expansion or Welded Joint Outlet**

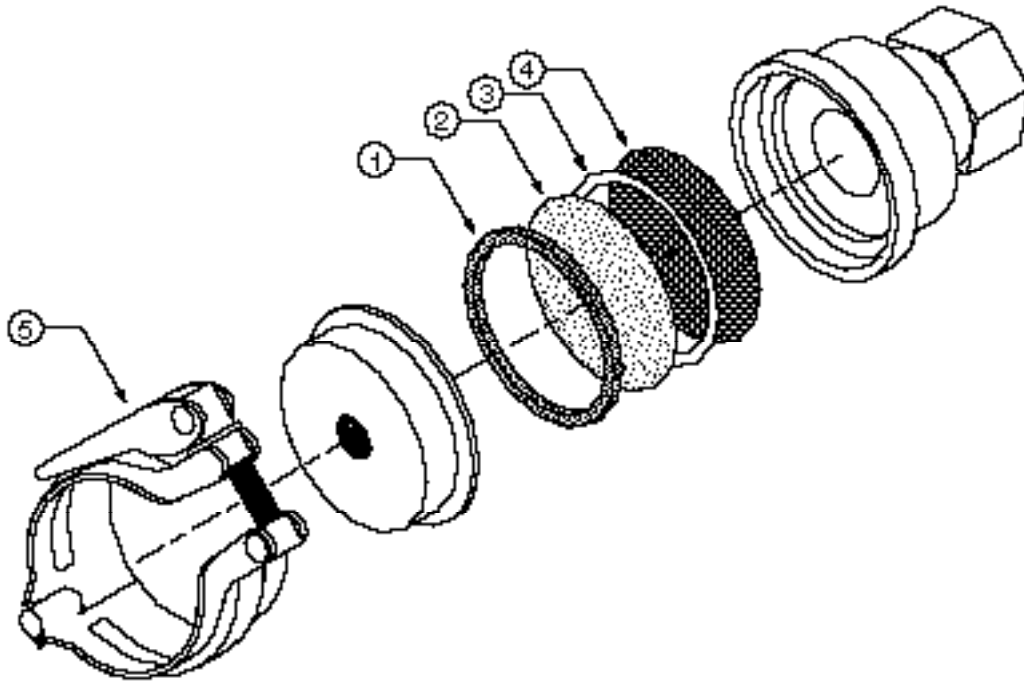
Outlet	Inlet	Part Number	Shipping Weight
1"	1/4" NPT	2040-32-1-8	5 lbs.
1"	1/2" NPT	2040-34-1-8	5 lbs.
1-1/2"	1/4" NPT	2040-32-1-12	5 lbs.
1-1/2"	1/2" NPT	2040-34-1-12	5 lbs.



**NPT Threaded Outlet**

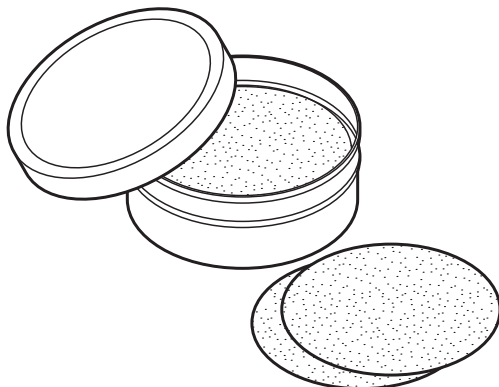
Outlet	Inlet	Part Number	Shipping Weight
1/4"	1/4" NPT	2040-52-1-2	5 lbs.
1/2"	1/2" NPT	2040-54-1-4	5 lbs.

NPT do not meet requirements for sanitary outlet connections.



**Service Parts**

Item	Description	Part No.	Qty.
1	Gasket	1775RA-43	1
2	Filter Discs (package of 20)	2050-1	1
3	Nylon Shim Washer	2045-2	1
4	Stainless Steel Screen	9323-51	1
5	Quick Release Clamp	2042-16	1



**Disposable Media Discs**

Sanitary media discs are easily removed with the quick-release housing design. These filtering discs should be replaced on a frequent basis to maintain air cleanliness. Replacement discs are available in 20-count packs, carefully sealed to ensure they are free of contaminant until installed.

© KING-GAGE and the KE emblem are registered trademarks of ATC King Engineering, Newell WV, U.S.A.

All specifications subject to change without notice.

Effective : Feb 2012 6000-120



King Engineering also manufactures a complete line of compressed air coalescing filters and dryers. For more information, request Catalog 6000.