



Service Parts & Dimensions

6000-2.10

Effective: February, 1993 (replaces March, 1972)

2 SCFM Visi/Metl-Guard Dryer

Model Number:

1734-6
1734-2

Rated Flow:

2 SCFM @ 100 psig
56 L/min @ 7 kg/cm²
3 m³/hr @ 7 bar

Connections:

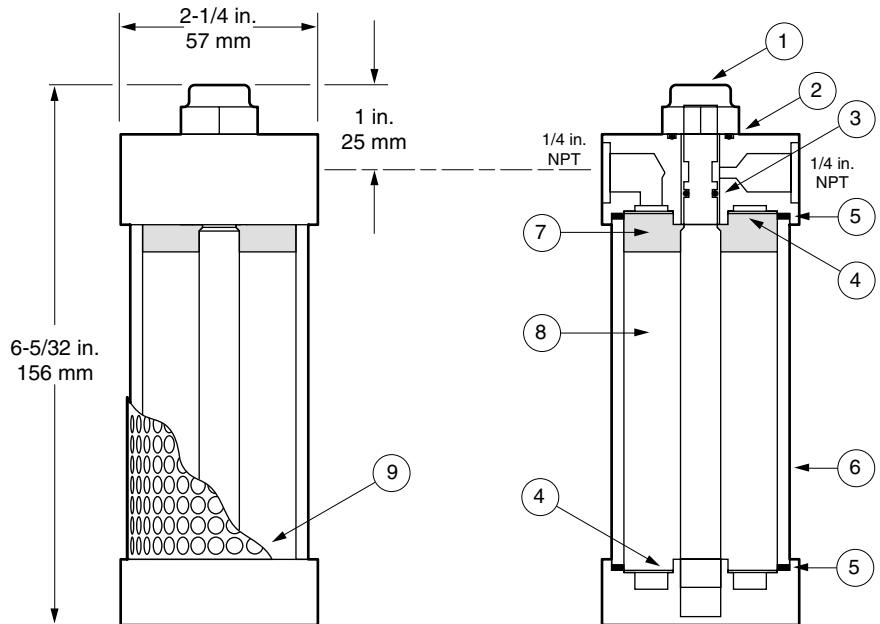
1/4" NPT

Max. Pressure:

150 psig

Physical Data:

Housing - Aluminum/Acrylic
Shipping Weight - 5 lbs./2.27 kg.



Desiccant Charge – Replacement Packs

Oil Vapor Removal	Temp. Limit
1735-4 AC-1 Activated Charcoal	120°F/49°C
1735-6 MS-2 Silicate	200°F/93°C

Water Vapor Removal	Temp. Limit
1735 SG-1 Indicating Silica Gel	100°F/38°C
1735-5 MS-1 Silicate	200°F/93°C

Item	Description	Part No.	Qty.
1	Center Post Nut	1721-11	1
2	O-Ring	6495-216	1
3	O-Ring	6495-6	1
4	Bronze Screen	9323-31	2
5	Gasket	6114-3	2
6	Visi-Bowl, Acrylic Metl-Bowl, Aluminum	6113 6113-3	1 1
7	Dust Filter Pad	1787-2	1
8	Desiccant (note 1)	See Chart	1
9	Shatter Guard	9423-21CP	1

Notes:

1. Replacement desiccant packs include filter pad (item 7) and pre-measured charge for 2 SCFM dryers.
2. SG-1 is an indicating color change silica gel that changes from bright blue to pink as water vapor is adsorbed.



Box 1228, Ann Arbor, Michigan 48106-1228 U.S.A.
3201 South State Street, Ann Arbor, Michigan 48108-1625 U.S.A.

Phone: (734) 662-5691 ▪ FAX: (734) 662-6652 ▪ www.king-gage.com