



Service Parts & Dimensions

6000-2.20

Effective: December, 1995 (replaces June, 1994)

Metl-Guard Dryer (for Vacuum Service)

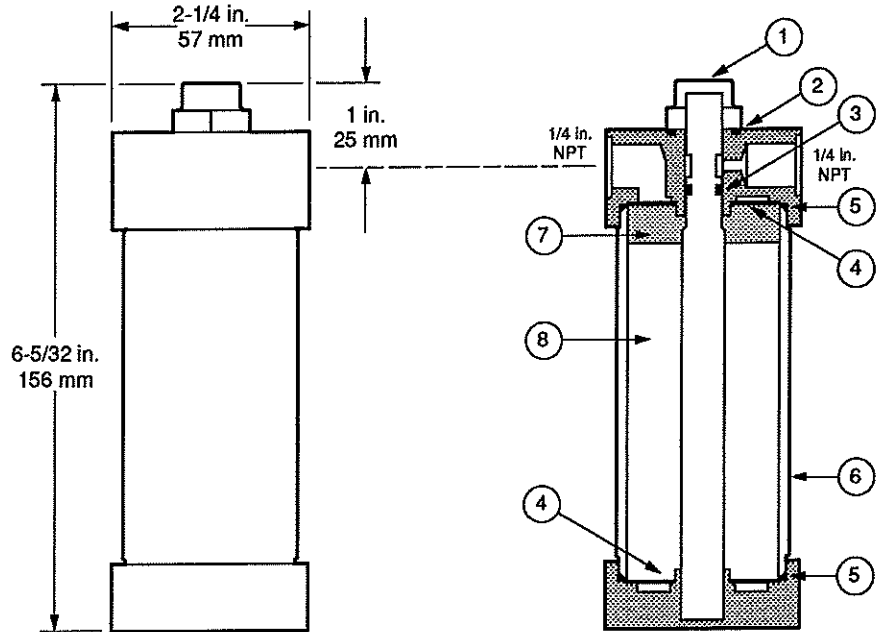
Part Number:
2002-1

Rated Flow:
<1 SCFM

Connections:
1/4" NPT

Pressure Range –
0.019 - 165.0 psia

Physical Data:
Housing - Aluminum
Shipping Weight -
5 lbs./2.27 kg.



Desiccant Charge – Replacement Packs

Oil Vapor Removal	Temp. Limit
1735-4 AC-1 Activated Charcoal	120°F/49°C
1735-6 MS-2 Silicate	200°F/93°C

Water Vapor Removal	Temp. Limit
1735 SG-1 Indicating Silica Gel	100°F/38°C
1735-5 MS-1 Silicate	200°F/93°C

Item	Description	Part No.	Qty.
1	Center Post Nut	1721-11	1
2	O-Ring	6495-216	1
3	O-Ring	6495-6	1
4	Bronze Screen	9323-31	2
5	O-Ring	6495-416	2
6	Metl-Bowl, Aluminum	6113-4	1
7	Dust Filter Pad	1787-2	1
8	Desiccant (note 1)	See Chart	1

Notes:

1. Replacement Desiccant packs include filter pad (item 7) and pre-measured charge for 2002-1 dryers.
2. SG-1 is an indicating color change silica gel that changes from bright blue to pink as water vapor is adsorbed.



Box 1228, Ann Arbor, Michigan 48106-1228 U.S.A.
3201 South State Street, Ann Arbor, Michigan 48108-1625 U.S.A.

Phone: (313) 662-5691 • FAX: (313) 662-6652

Desiccant Replacement

Instructions for Installing Desiccant Charge:

1. Grasp base of dryer unit, unthread center post nut at top and remove lower assembly.
2. Empty the exhausted desiccant.
3. The seal between the bowl and lower assembly must be free of desiccant. When refilling, avoid pouring desiccant into center post.
4. Place dust filter pad over the bowl filled with desiccant. Reconnect bowl and lower assembly to the upper assembly, tightening center post nut securely to ensure proper seal.

