



Service Parts & Dimensions

7000-2.00

Effective: February, 1998 (April, 1993)

(12 to 200 SCFM Service) Auto-Drain

These automatic filter drains provide intermittent-action discharge of accumulated liquid contaminants. They are float actuated and open only when liquid in sump reaches a predetermined level. Minimum 35 psig inlet pressure is required for proper operation of Auto-Drain.

Auto-Drains are available for filters and filter-Dryer combination units only.

Model Numbers

2465-31
2465-36

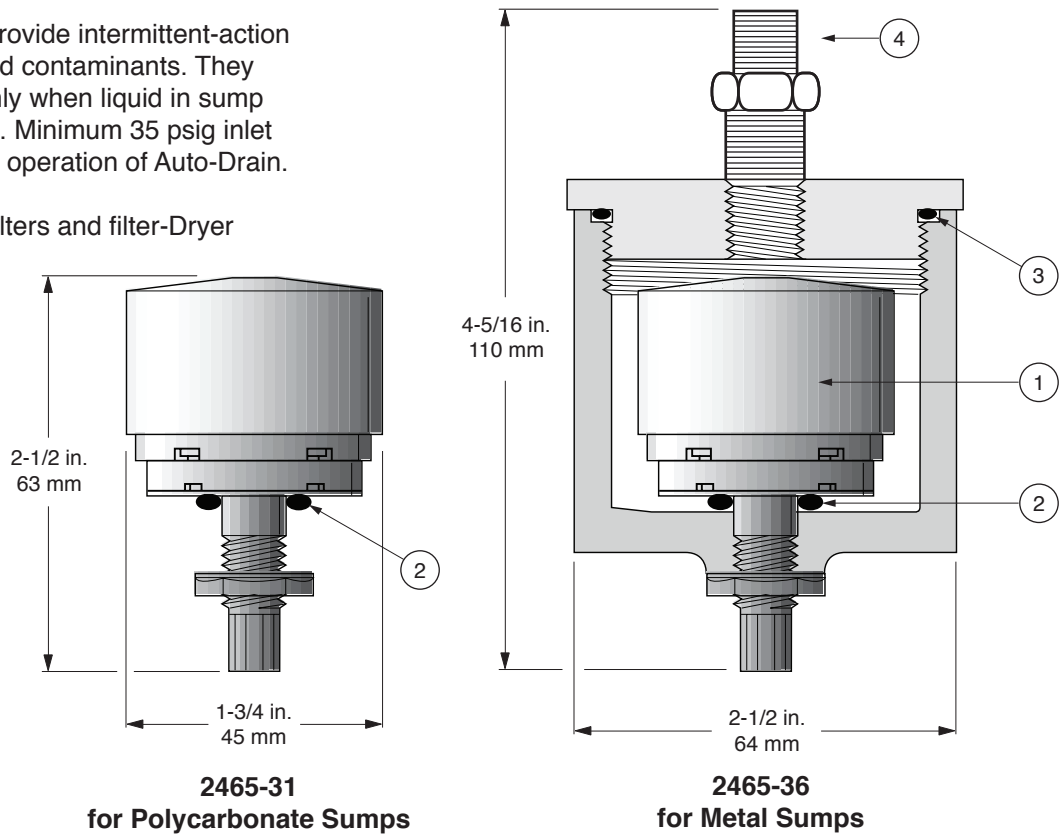
Pressure Range

10 – 250 psig

Physical Data

Housing - Plastic (2465-31)
Aluminum (Housing & Cap)
2465-36 only

Weight - 6 oz. (2465-31)
1 lb. (2465-36)



2465-31
for Polycarbonate Sumps

2465-36
for Metal Sumps

Item	Description	Part No.	Qty.
1	Auto-Drain Assembly (note 1)	2465-31	1
2	O-Ring (notes 2 & 3)	6495-11	1
3	O-Ring (note 3)	6495-422	1
4	1/4" NPT to 1/8" NPT Nipple (note 3)	5918-1	1

Notes:

1. Includes o-ring, p/n 6495-11
2. Included with p/n 2465-31
3. Included with p/n 2465-36

