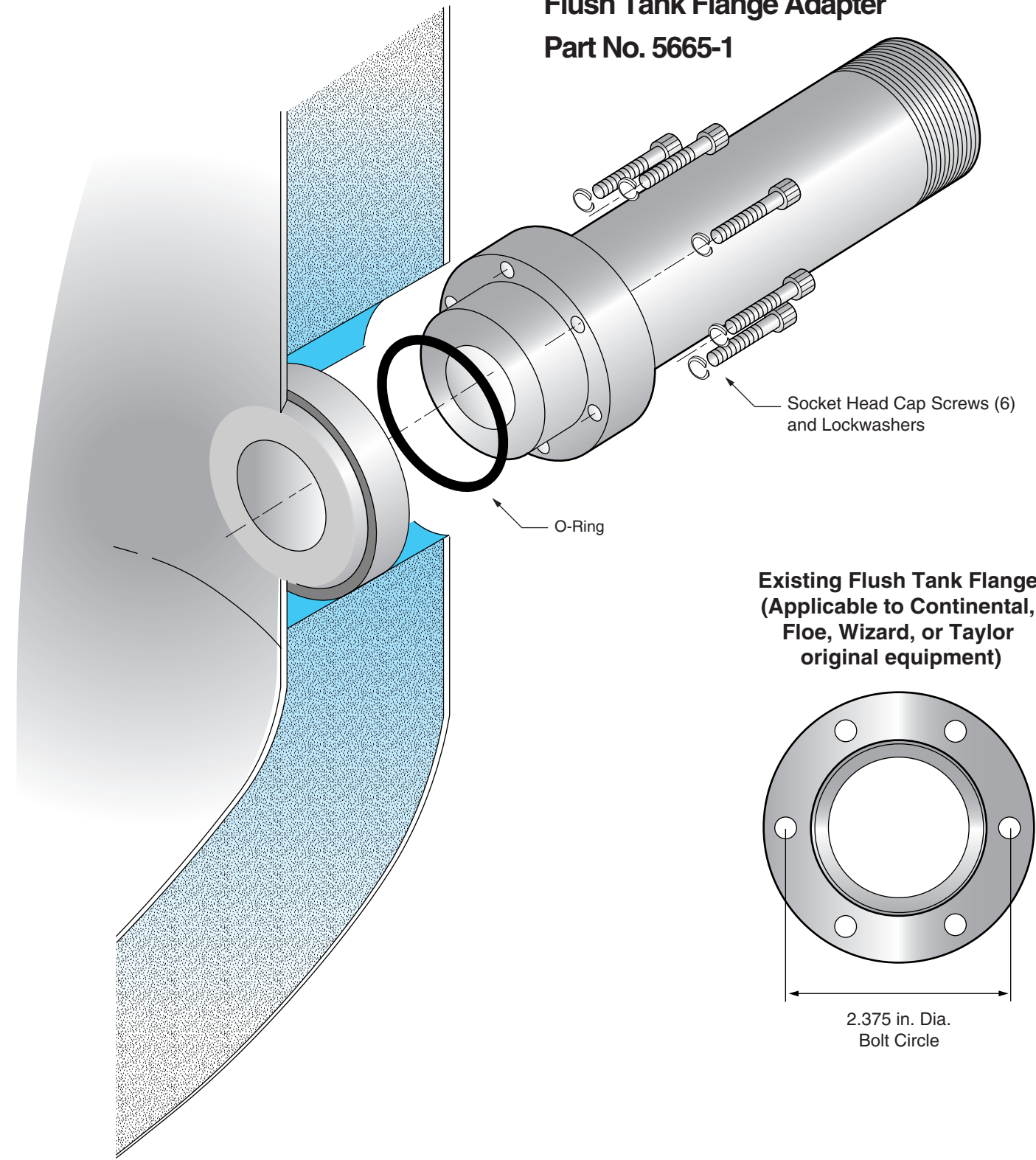


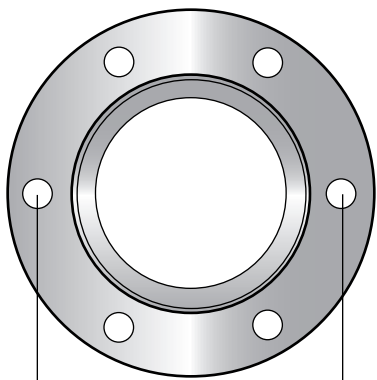
**Flush Tank Flange Adapter
Part No. 5665-1**



Socket Head Cap Screws (6)
and Lockwashers

O-Ring

**Existing Flush Tank Flange
(Applicable to Continental,
Floer, Wizard, or Taylor
original equipment)**



2.375 in. Dia.
Bolt Circle

TANK SHELL ADAPTER INSERT

The shell insert(s) illustrated are used to adapt existing tank fittings for KING-GAGE® sensors or transmitters. The shell adapter(s) shown on this instruction sheet permit the following conversion:

- Continental (original) to KING-GAGE
- Floer (Original) to KING-GAGE
- Wizard (original) to KING-GAGE
- Taylor (original) to KING-GAGE

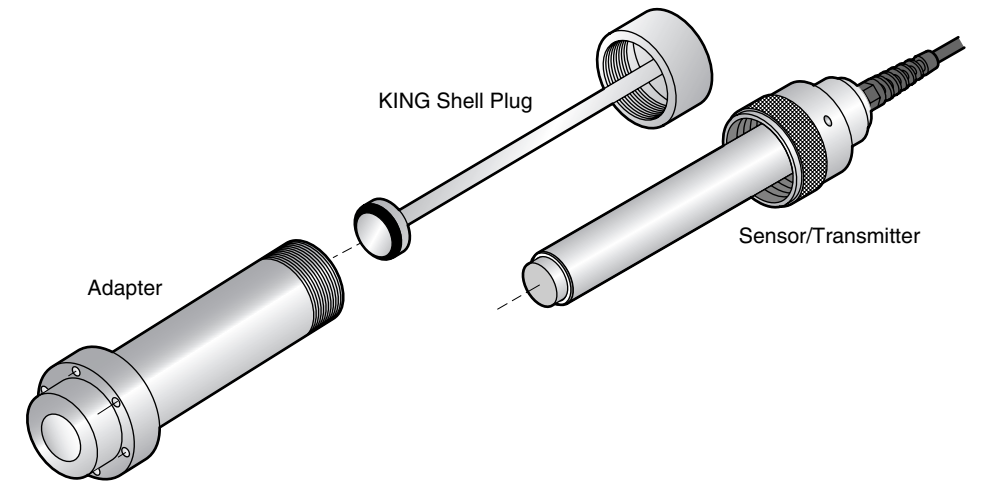
The complete adapter package supplied includes O-ring seal, socket head cap screws, lockwashers and 5/32 hex key wrench.

INSTALLATION

Before inserting adapter assembly, check existing shell that is welded to the tank. If the opening at the end of the shell into the tank is damaged or distorted (oval rather than round), the adapter insert may not properly seal.

1. Remove existing sensor (if applicable) and wipe inside surfaces of the shell so that it is clean and dry.
2. Make certain that O-ring seal is properly seated into the existing flange. Insert adapter into flange and fasten with the supplied socket head cap screws (hex key wrench is furnished).

DO NOT FILL TANK until a sensor or KING shell plug (p.n. 2584-3 "Standard") has been installed.



INSTALLATION INSTRUCTIONS

**Adapter Insert for
Flush Tank Flange
(Continental / Floer / Wizard / Taylor)
Part No. 5665-1**

			DATE	11/05/2002
			DRAWN BY	J. Gwls
B	11/02	Revised and redrawn	APPROVED	

KING
ENGINEERING
CORPORATION
Box 1228, Ann Arbor, MI 48106-1228 U.S.A.
Phone: 734-662-5691 • FAX: 734-662-6652

DWG. NO.	K-1060-1-5665
SHEET 1 OF 1	REV. B