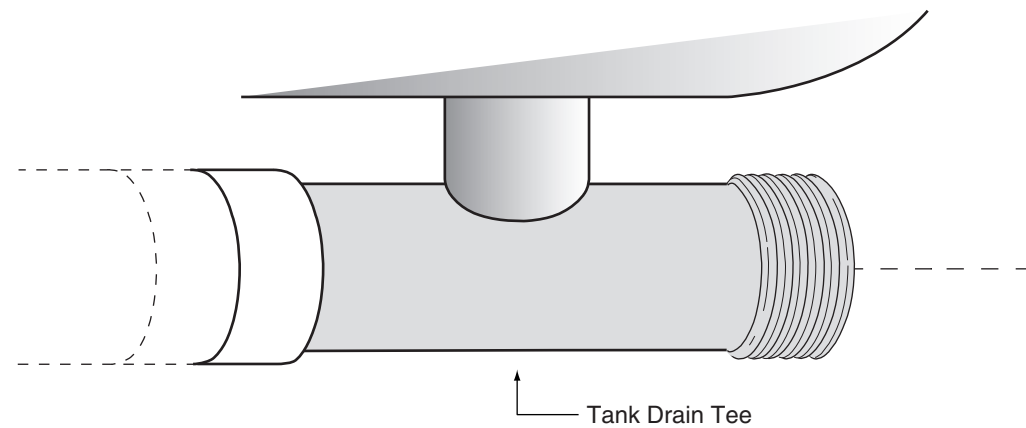
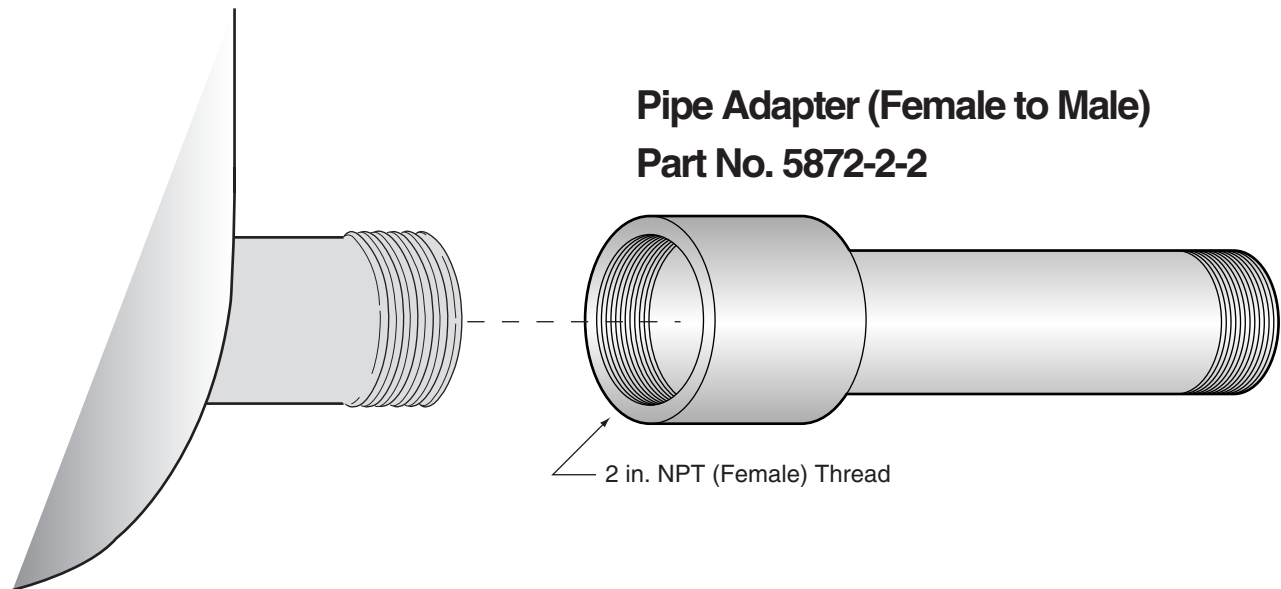


**Pipe Adapter (Male to Female)**  
Part No. 5872-1-2

2 in. NPT (Male) Thread



Tank Drain Tee



**Pipe Adapter (Female to Male)**  
Part No. 5872-2-2

2 in. NPT (Female) Thread

**TANK SHELL ADAPTER INSERT**

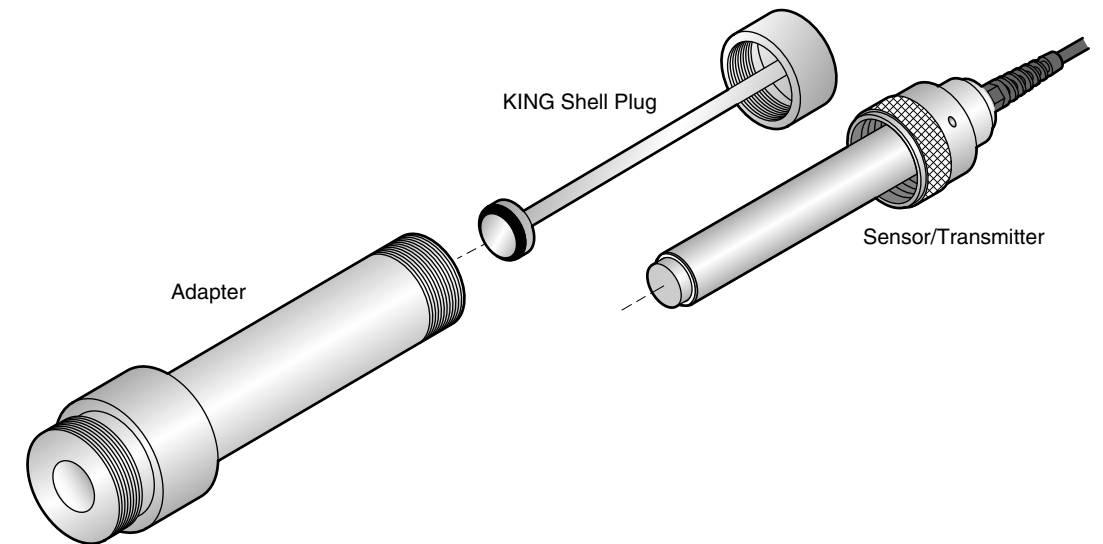
The shell insert(s) illustrated are used to adapt existing tank fittings for KING-GAGE® sensors or transmitters. The shell adapter(s) shown on this instruction sheet permit the following conversion:

- 2" NPT-Female outlet connection
- 2" NPT-Male outlet connection

**INSTALLATION**

Before inserting adapter assembly, check threaded outlet on tank. Damaged threads may prevent adapter from properly sealing.

1. Tighten adapter onto outlet. (Use of thread sealant or Teflon tape may be required to ensure leak-tight connection.)
2. DO NOT FILL TANK until a sensor or KING shell plug (p.n. 2584-3 "Standard") has been installed.



KING Shell Plug

Sensor/Transmitter

Adapter

**INSTALLATION INSTRUCTIONS**

**Pipe Thread Adapter  
Sensor Shell  
(2 in. NPT)**

			DATE	11/05/2002
			DRAWN BY	J. Gwls
B	11/02	Revised and redrawn	APPROVED	



DWG. NO.  
**K-1060-1-5872**

SHEET 1 OF 1  
**B**