

Clamp Assy.
(not included)

King Liquid Scale Adapter

Gasket

Liquid Scale
Tank Sleeve

2.5625"
65 mm

Part No. 1749-35-1

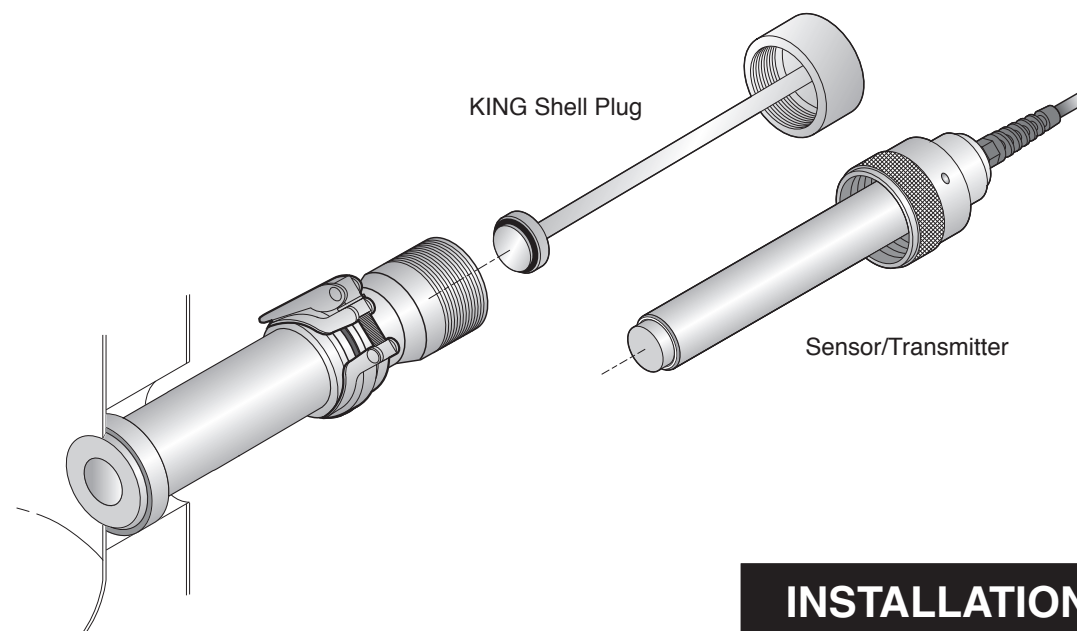
Liquid Scale Fitting Adapter

Sensor adapter flange mates to Liquid Scale tank sleeve (equivalent to 1-1/2 Tri-Clamp) and includes molded gasket seal (Buna N). Quick release clamp to be supplied by others.

Fitting can be disconnected from tank sleeve without removing sensor (if installed). Use care when handling installed sensor—especially avoid striking the diaphragm face of sensor.

Liquid Scale Adapter Part No. 1749-35-1

Shell Seal Plug Assembly No. 2584-6 (long) can be used to cap end of adapter fitting when the level sensor has been removed or prior to sensor installation.



KING Shell Plug

Sensor/Transmitter

INSTALLATION INSTRUCTIONS

Liquid Scale Fitting Adapter for
KING-GAGE®
Level Sensors

		DATE	8/06/10
		DRAWN BY	D. Kennedy
A	8/10	Released	APPROVED



DWG. NO.
K-1060-2-1749

REV.
SHEET 1 of 1
A