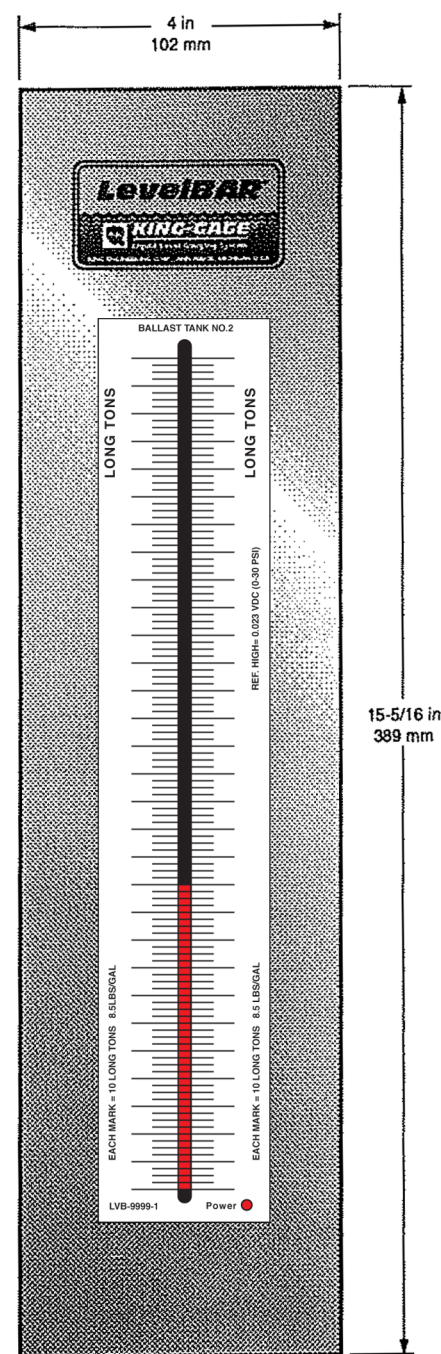
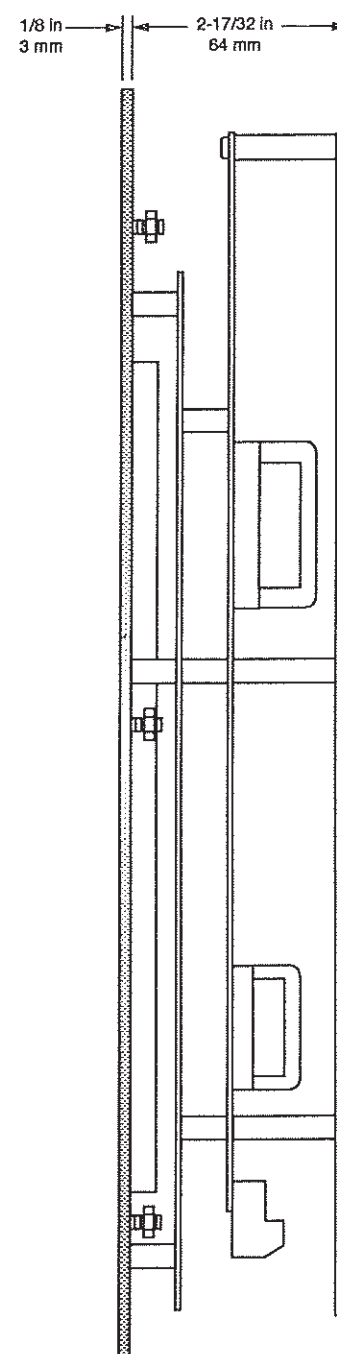


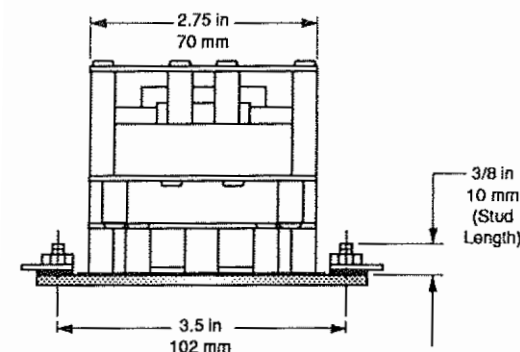
Figure 1 – Physical and Panel Cut-Out Dimensions



Front View



Right Side View



Top View

Installation Requirements –

Location - Flush mount LevelBAR requires source of 115 Vac/60 Hz. electrical power for operation. The selected location for mounting should be readily accessible for cabling and gauge signal lines.

Mounting Hardware - Sealing gasket on rear of mounting flange should provide watertight seal if adequately compressed during installation procedure. Fasteners (i.e., mounting studs, lockwashers and hex nuts) are furnished.

Panel Cut-Out - Prepare opening in panel as shown. All dimensions listed are maximum. Establish centerlines and located clearance holes for the mounting studs.

LevelBAR Specifications –

Display Accuracy/Resolution
1%

Number of Segments
100

Display Type
LED

Display Length
10"/254 mm

Power Requirements
115 Vac, 50/60 Hz nominal

INSTALLATION INSTRUCTIONS

KING-GAGE®

LevelBAR

Electronic Input (4-20 mA)

Model 5120-10

		DATE	9/15/94
		DRAWN BY	M. Ellinger
A	9/94	Released	APPROVED



DWG. NO.	K-1090-1-5120-10
SHEET 1 OF 2	REV. A

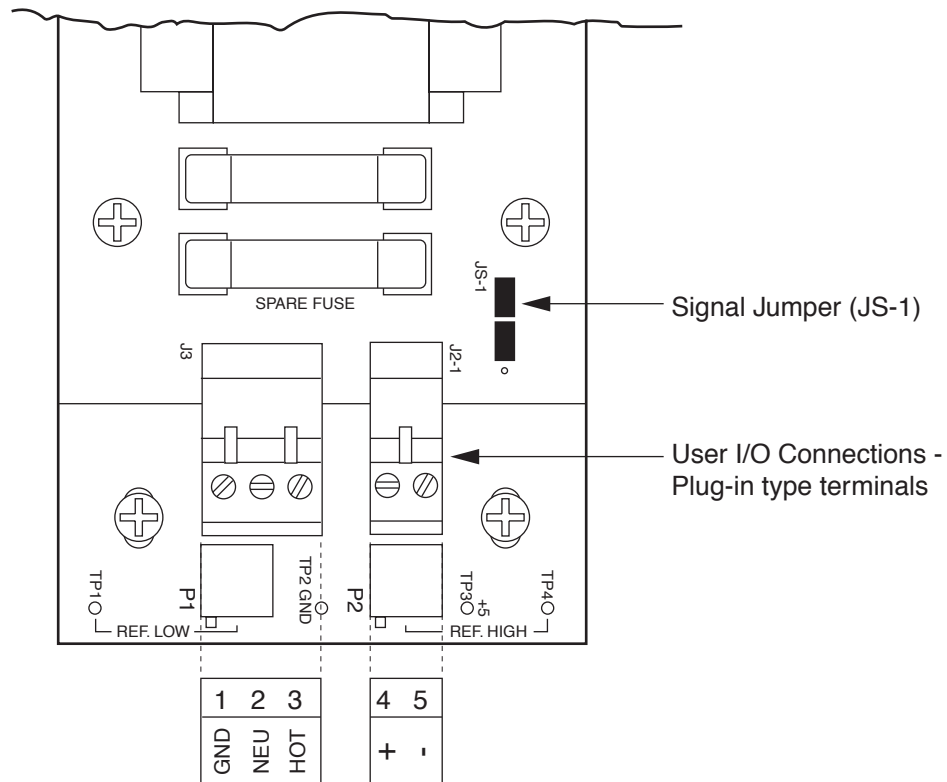


Figure 2 – Signal Jumper and Terminal Locations

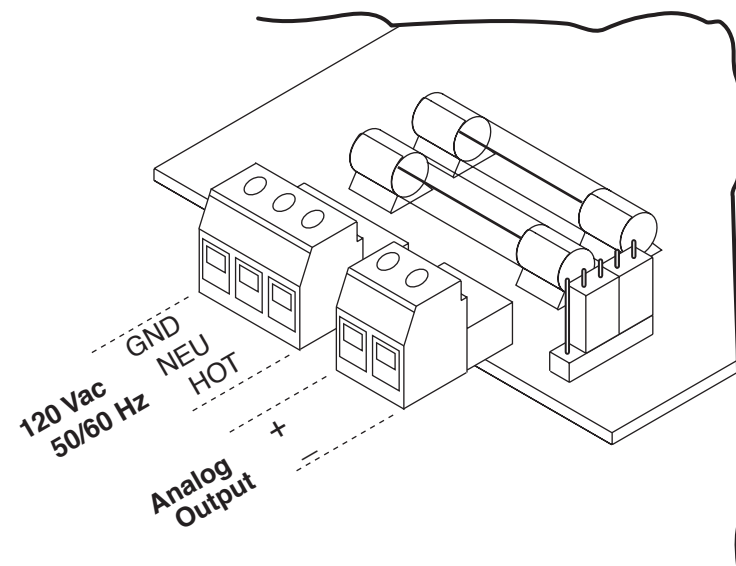


Figure 3 – Connection Terminals

Internal Electrical Connections

To facilitate the internal connections, remove the six (6) screws at the rear of the assembly to remove plate.

Power (120 Vac)

Connect the LevelBAR indicator to a grounded 120 Vac, 50/60 Hz. power source. Maintain polarity (GND/NEU/HOT) as indicated.

4-20 mA Signal Input

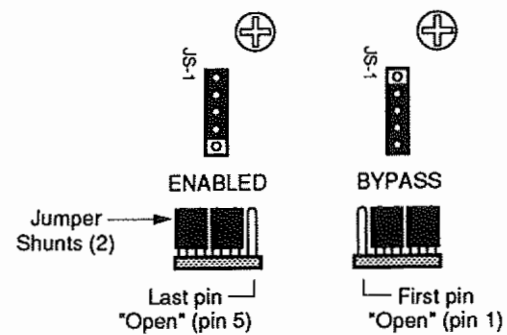
LevelBAR indicators are designed to accept the proportional 4-20 mA mAdc electrical signal from typical two wire loop powered transmitters. Each LevelBAR indicator includes an onboard 24 Vdc supply that can be used to power the transmitter and signal loop. If an external power supply is used within the loop circuit, the onboard 24 Vdc must be internally bypassed within the indicator. (See Signal Jumper.)

Signal Jumper (24 Vdc Power)

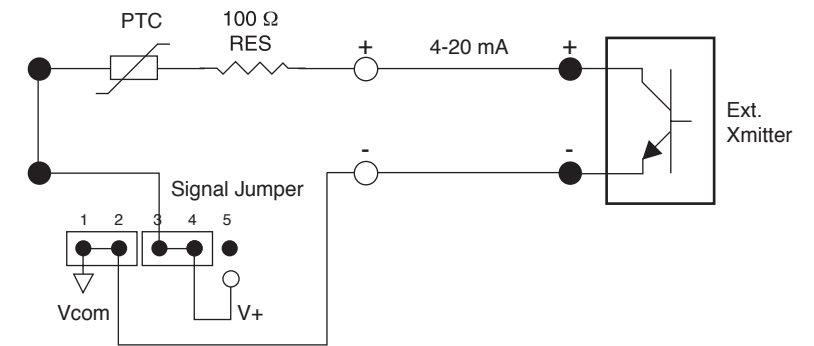
The onboard 24 Vdc supply can either be enabled or bypassed, depending upon whether an external transmitter power supply is already being used.

JS-1 Enable Position: +24 Vdc is applied through the + signal terminal to the transmitter.

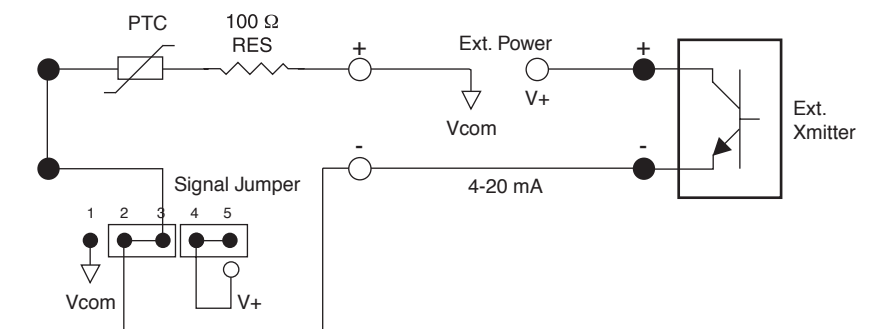
JS-1 Bypass Position: Power supply is bypassed (disabled).



Detail A - Jumper Configurations



Electronic System – LevelBAR with +24V enabled, 4-20 mA signal from external transmitter.



Electronic System – LevelBAR with external power supply, 4-20 mA signal from external transformer.

Detail B – Power Configurations

INSTALLATION INSTRUCTIONS

KING-GAGE®

LevelBAR

Electronic Input (4-20 mA)

Model 5120-10

		DATE	9/15/94
		DRAWN BY	M. Ellinger
A	9/94	Released	APPROVED



DWG. NO.	K-1090-1-5120-10
REV.	A
SHEET 2 OF 2	