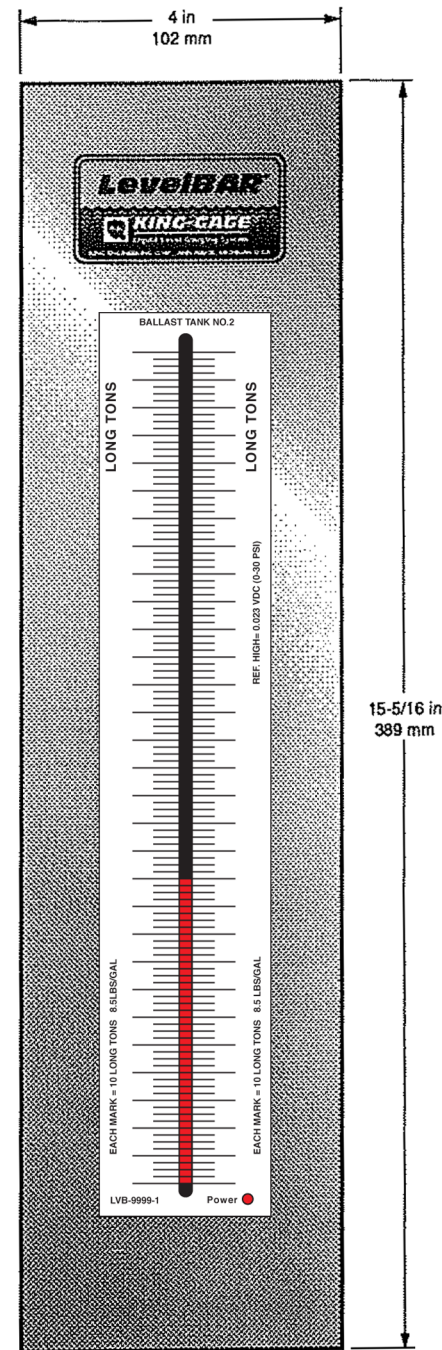
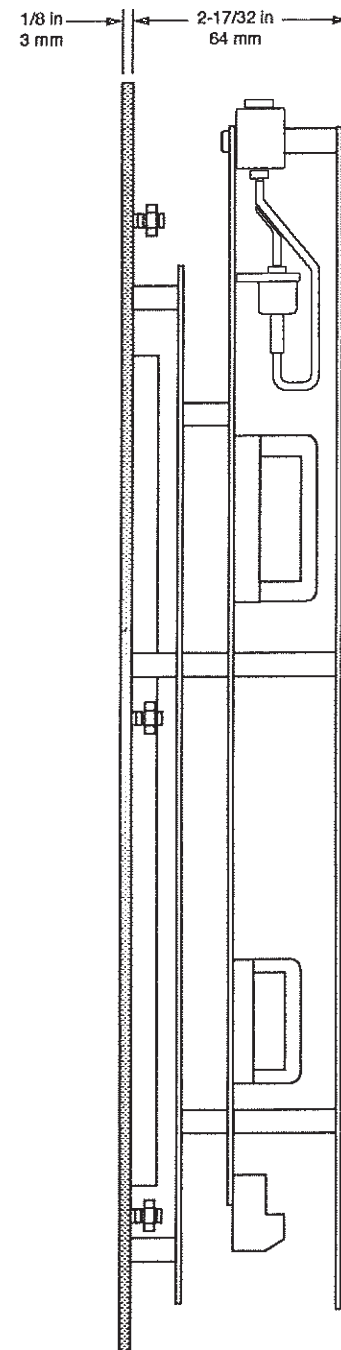


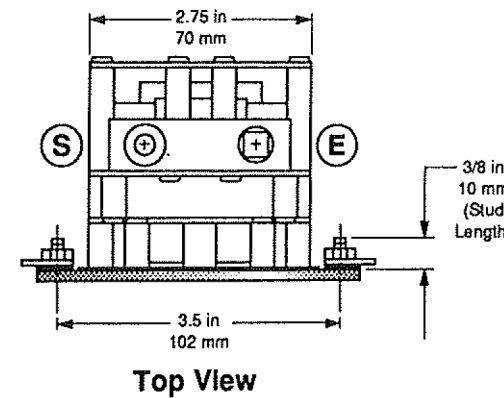
**Panel Cut-Out Dimensions  
Flush Mount LevelBAR**



**Front View**



**Right Side View**



**Top View**

**Figure 1 – Mounting Dimensions**

**Installation Requirements –**

**Location** - Flush mount LevelBAR requires source of 115 Vac/60 Hz. electrical power for operation. The selected location for mounting should be readily accessible for cabling and gauge signal lines.

**Mounting Hardware** - Sealing gasket on rear of mounting flange should provide watertight seal if adequately compressed during installation procedure. Fasteners (i.e., mounting studs, lockwashers and hex nuts) are furnished.

**Panel Cut-Out** - Prepare opening in panel as shown. All dimensions listed are maximum. Establish centerlines and located clearance holes for the mounting studs.

**LevelBAR Specifications –**

**Display Accuracy/Resolution**

1%

**Number of Segments**

100

**Display Type**

LED

**Display Length**

10"/254 mm

**Power Requirements**

115 Vac, 50/60 Hz nominal

**INSTALLATION INSTRUCTIONS**

**KING-GAGE®**  
**LevelBAR**  
Pneumatic Input  
Model 5120-2x

		DATE	04/06/95
		DRAWN BY	M. Ellinger
A	9/94	Released	APPROVED

**KING**  
ENGINEERING CORPORATION  
Box 1228, Ann Arbor, MI 48106-1228 U.S.A.  
Phone: 734-662-5691 • FAX: 734-662-6652

DWG. NO.	K-1090-1-5120-2x
SHEET 1 OF 2	REV. A

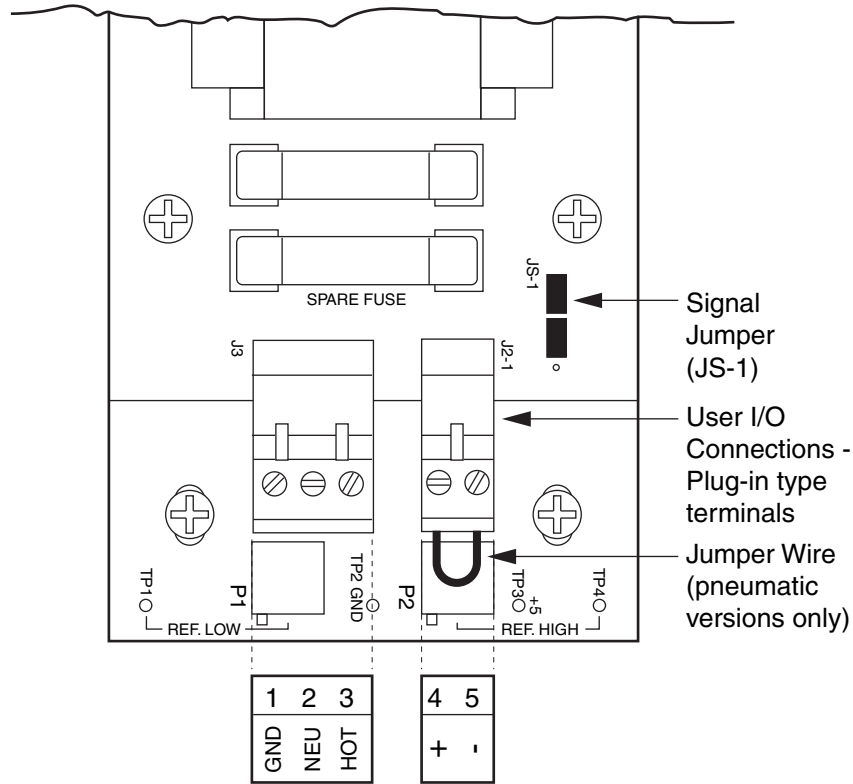


Figure 2 – Signal Jumper and Terminal Locations

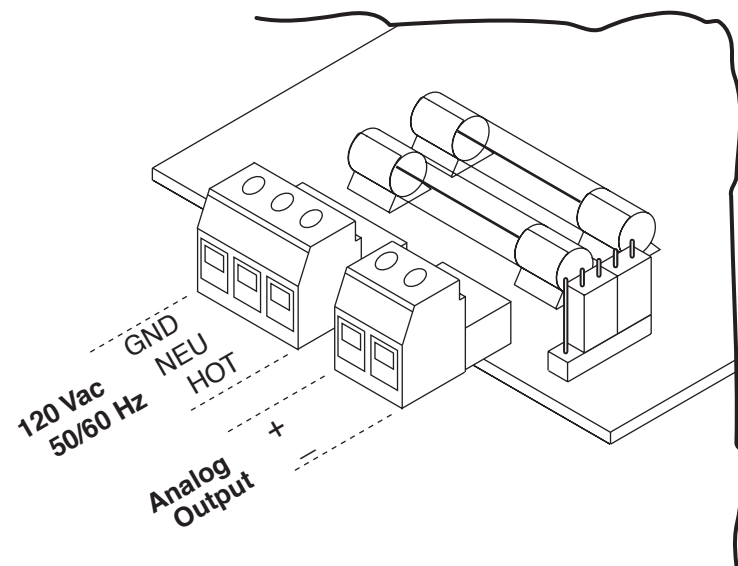


Figure 2 – Connection Terminals

### Power (120 Vac)

Connect the LevelBAR indicator to a grounded 120 Vac, 50/60 Hz. power source. Maintain polarity (GND/NEU/HOT) as indicated. Use only watertight conduit hubs or fittings for the 1/2" NPT connection cable entry at the bottom of the housing.

### Pneumatic Input Connections

The LevelBAR is designed to accept clean, dry air or gas pressure inputs only. A vent line routed to a dry and protected location may be necessary if indicator is located in an extremely wet or humid area.

**S - Signal (high pressure):** Install 1/8" NPT fitting into the left hand port and connect the tank signal line.

**E - Equalizer (low pressure):** For most fully vented tank gauging applications, the supplied vent plug may be used (except as noted above). Non-vented tanks should have the equalizer line or upper tank void sensor signal connected to the E port.

### 4-20 mA Signal Connection

The LevelBAR can provide a 4-20 mA output\* signal for monitoring or control use. If the 4-20 mA output will not be used, the factory installed jumper wire must remain connected to terminals #4 and #5.

\* Actual milliamp output may be less than 20 mA depending upon application and pressure range of the internal D/P transmitter.

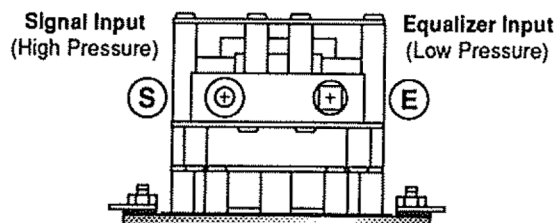
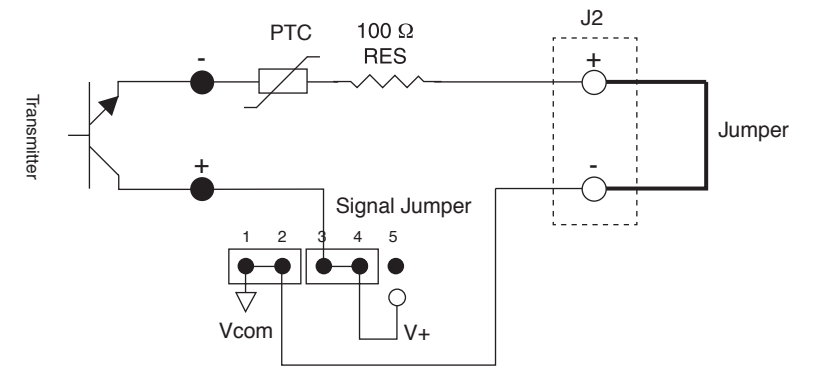
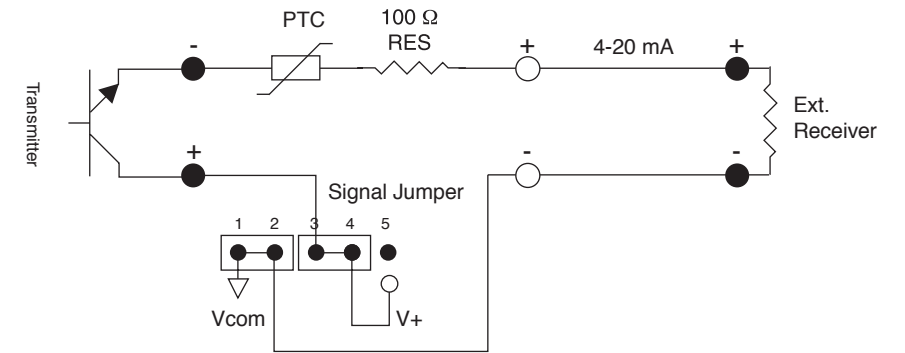


Figure 4 - Signal Inputs



Pneumatic System – LevelBAR with +24V enabled, factory jumper for internal signal.



Pneumatic System – LevelBAR with +24V enabled, 4-20 mA to external receiver.

## INSTALLATION INSTRUCTIONS

**KING-GAGE®**  
LevelBAR  
Pneumatic Input  
Model 5120-2x

			DATE	04/06/95
			DRAWN BY	M. Ellinger
A	9/94	Released	APPROVED	



Box 1228, Ann Arbor, MI 48106-1228 U.S.A.  
Phone: 734-662-5691 • FAX: 734-662-6652

DWG. NO.	
K-1090-1-5120-2x	
SHEET 2 OF 2	REV. A