

Purge Valve Replacement Kit

P/N 5153-1 Used for these models
 9305 Rotameter Purge Gauge
 5990 Rotameter Purge Gauge

P/N 5153-2 Used for these models
 9448 Intermittent Purge Gauge
 5991 Intermittent Purge Gauge

(See model configurations on page 2)

Parts List

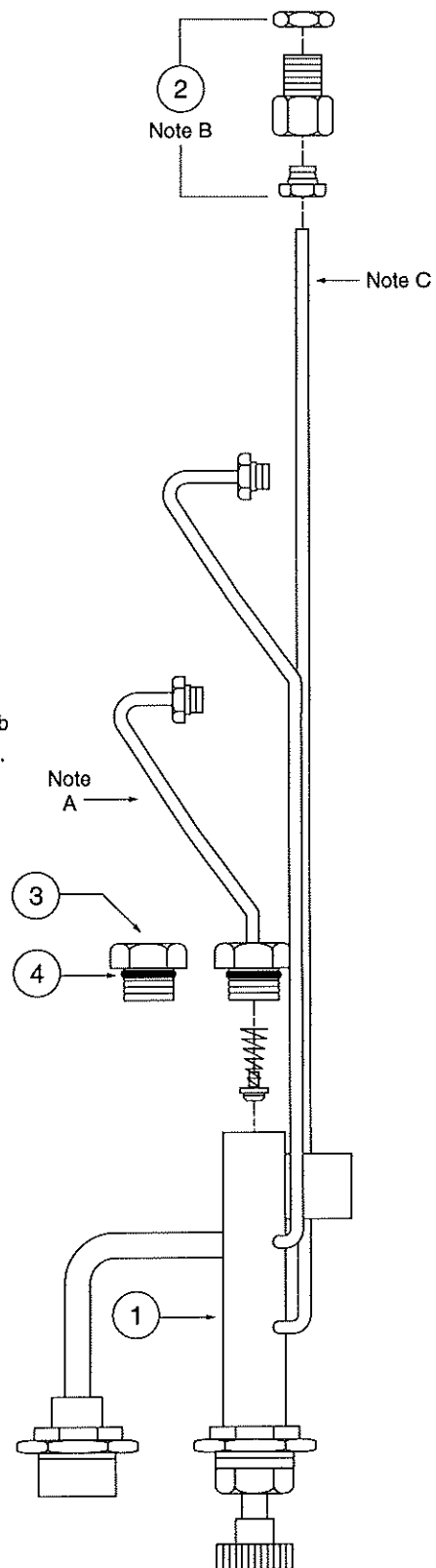
Item	Part No.	Description	Qty.	Notes
1	-----	Purge Valve Assy.	1	
2	5150-1	Tube Conn. & Adapt. Assy.	1	B
3	6924-NP	Spring Retainer	1	A
4	6495-7	O-Ring	1	

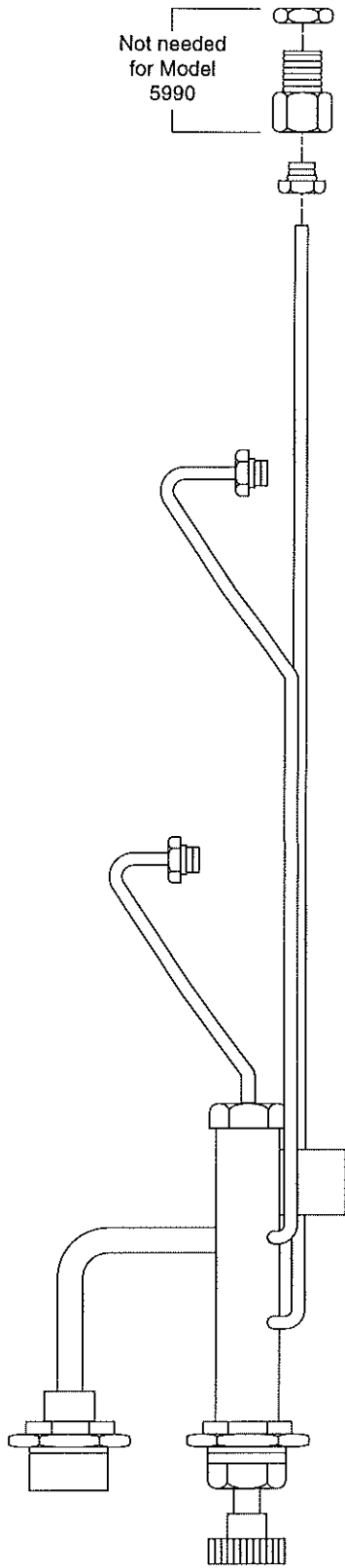
Notes:

- A For gauges with side mounted rotameter, assembly includes tubing stub shown. For gauges without rotameter, includes spring retainer (Item 3).
- B Use fitting adapter assy. (Hi-Duty fitting, adapter and locknut) for Model 9305 or 9448 King-Gage Indicators.
- C This tubing may be cut shorter to fit different indicator ranges. Refer to trim table.

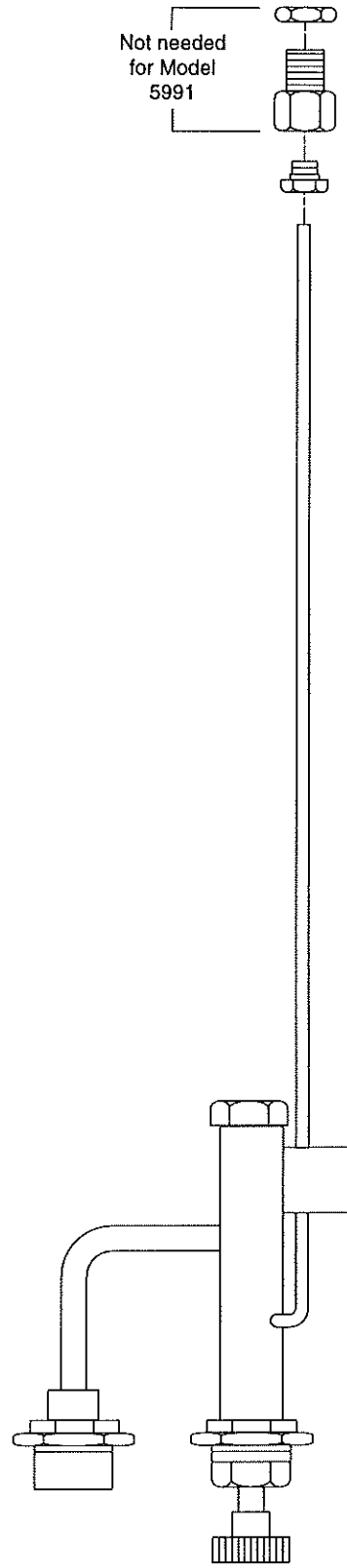
Trim Table

Indicator	Tubing Length
66" range	72" as furnished
58" range	64" cut to fit
51" range	56" cut to fit
43" range	48" cut to fit
35" range	40" cut to fit
28" range	32" cut to fit
20" range	24" cut to fit
12" range	16" cut to fit





Configuration for models
9305 and 5990



Configuration for models
9448 and 5991