

Service Parts & Dimensions – 1010-10.30

Effective: May, 2009 (replaces February, 1998)

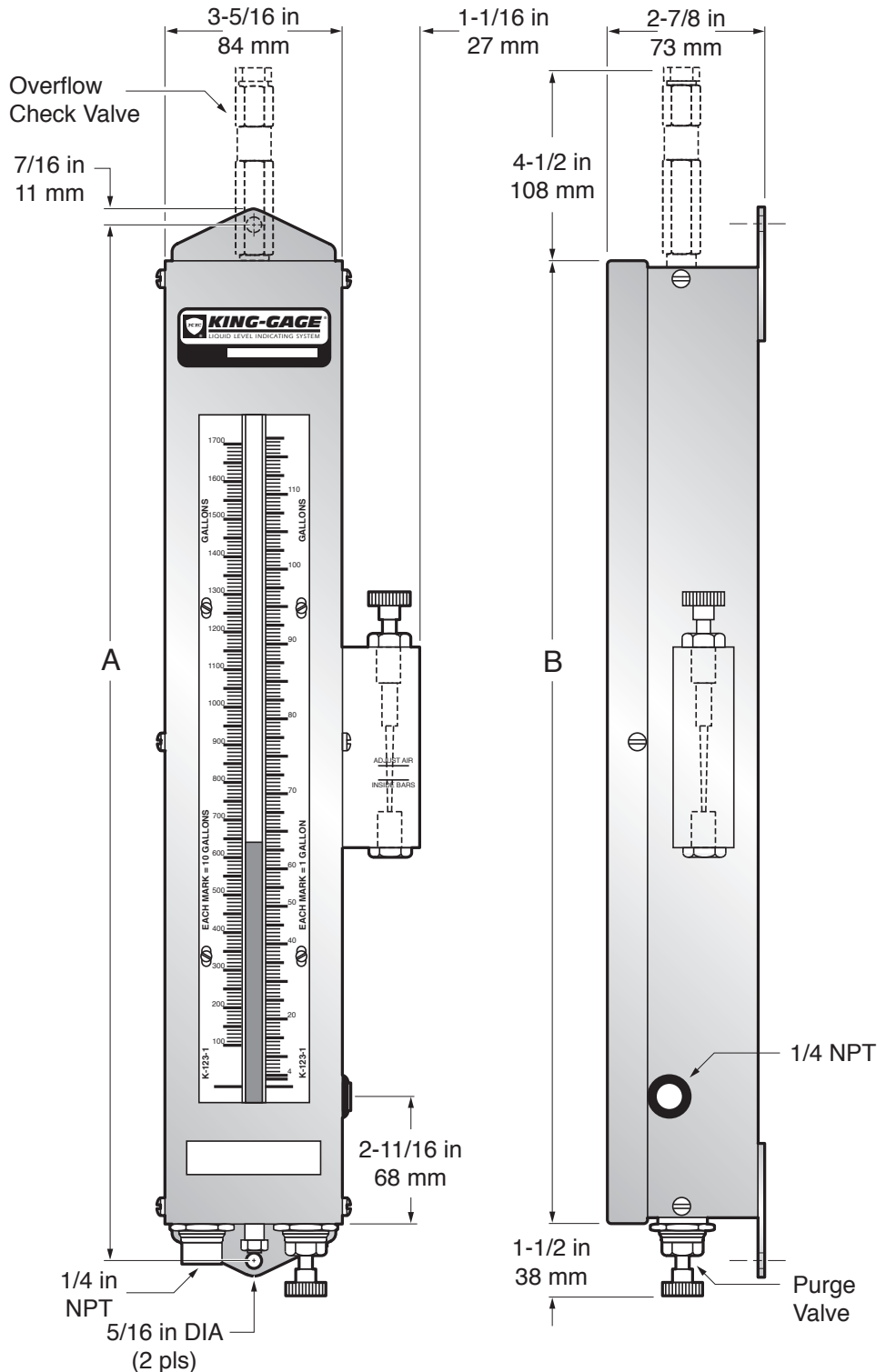
Model 5990 Tank Level Indicator w/ Rotameter Purge

Liquid Level Indicator Specifications –

- **Operating Principle**
Well-type manometer acts as a frictionless hydrostatic force-balance. A liquid fill is raised in direct proportion to the magnitude of pressure applied. (Varies based on type of indicating liquid employed.)
- **Resolution**
Infinite based on type of indicating liquid employed.
- **Input Connection(s)**
1/4" NPT tapped connection for typical tube fittings. Accepts pneumatic air/gas pressure input; high and low pressure inputs.
- **Materials of Construction**
Formed channel indicator housing; brushed stainless steel (type 304). Heavy plate glass window; acrylic plastic window available as special order.
- **Wetted Parts**
316 stainless steel liquid well and tubing.
- **Indicating Tube**
High strength, fully annealed glass (Pyrex®)
- **KING-GAGE Indicator**
Single display tube. Available in wall mount housing only.
Scale Ranges: 20", 35", 43", 51", 66"

Dimensions by Indicator Range (inches)

| Range | Dim. "A" | Dim. "B" |
|-------|----------|----------|
| 20 | 26-1/4 | 25-3/8 |
| 35 | 42-1/4 | 41-3/8 |
| 43 | 50-1/4 | 49-3/8 |
| 51 | 58-1/4 | 57-3/8 |
| 66 | 74-1/4 | 73-3/8 |



Model 5990 Service Parts:

| Item Notes | Description | Part No. | Qty. |
|------------|---|-------------------|------|
| 1 | Top Plate | 5143F-2 | 1 |
| | Top Plate | 5143S-2 | 1 |
| 2 | Bottom Plate | 5142F-3 | 1 |
| | Bottom Plate | 5142S-3 | 1 |
| 3 | Gage Repl. Well | 7754-20, -35 | 1 |
| | | 7755-43, -51, -66 | 1 |
| | (includes: gage well fab., drain plug, nylon washer, pressure tube, & well conn. nut) | | |
| 4 | Drain Plug | 7560 | 1 |
| | (included with item 3) | | |
| | Washer, Nylon | 8806 | 1 |
| | (included with item 3) | | |
| 5 | Glass Tube Repl. Kit | 5159-x | 1 |
| | (includes: glass tube, packing washers & o-rings) | | |
| | Glass Tube Packing Seal Kit | 5181-1 | 1 |
| | (includes: o-rings, packing washers & well conn. nut) | | |
| 6 | Front Cover Assembly | 8815F-x | 1 |
| | Front Cover Assembly | 8815S-x | 1 |
| | (1,2) | | |
| 7 | Glass & Molding Assy. | 8866-x | 1 |
| | (included with item 6) | | |
| 8 | Purge Valve Repl. Kit | 5153-1 | 1 |
| | (includes: purge valve assy., tube conn. adaptor assy., spring retainer, high-duty nut, o-ring & high-duty cap) | | |
| 9 | Stem Assembly | 6929 | 1 |
| | (included with item 8) | | |
| 10 | Poppet Assembly | 6937 | 1 |
| | (included with item 8) | | |
| 11 | O-Ring | 6495-7 | 1 |
| | (included with item 8) | | |
| 12 | Air Valve Assembly | 6224-5 | 1 |
| 13 | Rotameter Assembly | 8778 | 1 |
| | Float | 6614-2 | 1 |
| | (included with item 13) | | |
| 14 | Valve Insert Assembly | 6995 | 1 |
| | (included with item 13) | | |
| 15 | Replacement Scales | | |
| | 1-Unit Scale | 7083-x | 1 |
| | 2-Unit Scales | 7084-x | 1 |
| | (5) | | |
| 16 | Replacement Liquid | | |
| | Red, No. 294 | 2992-x | 1 |
| | Purple, No. 175 | 9175-x | 1 |
| | Mercury | 2604-3-1 | 1 |
| | (4) | | |

| Item Notes | Description | Part No. | Qty. |
|------------|---|----------|------|
| 17 | Check Valve | 8838 | 1 |
| 18 | Repl. Top Fitting | 5161-1 | 1 |
| | (includes: conn. tube, hex pipe bushings & tube fittings) | | |
| 19 | Reflector | 7761-x | 1 |
| | (2) | | |
| 20 | High-Duty Tube Fitting | 6706-1NP | 2 |

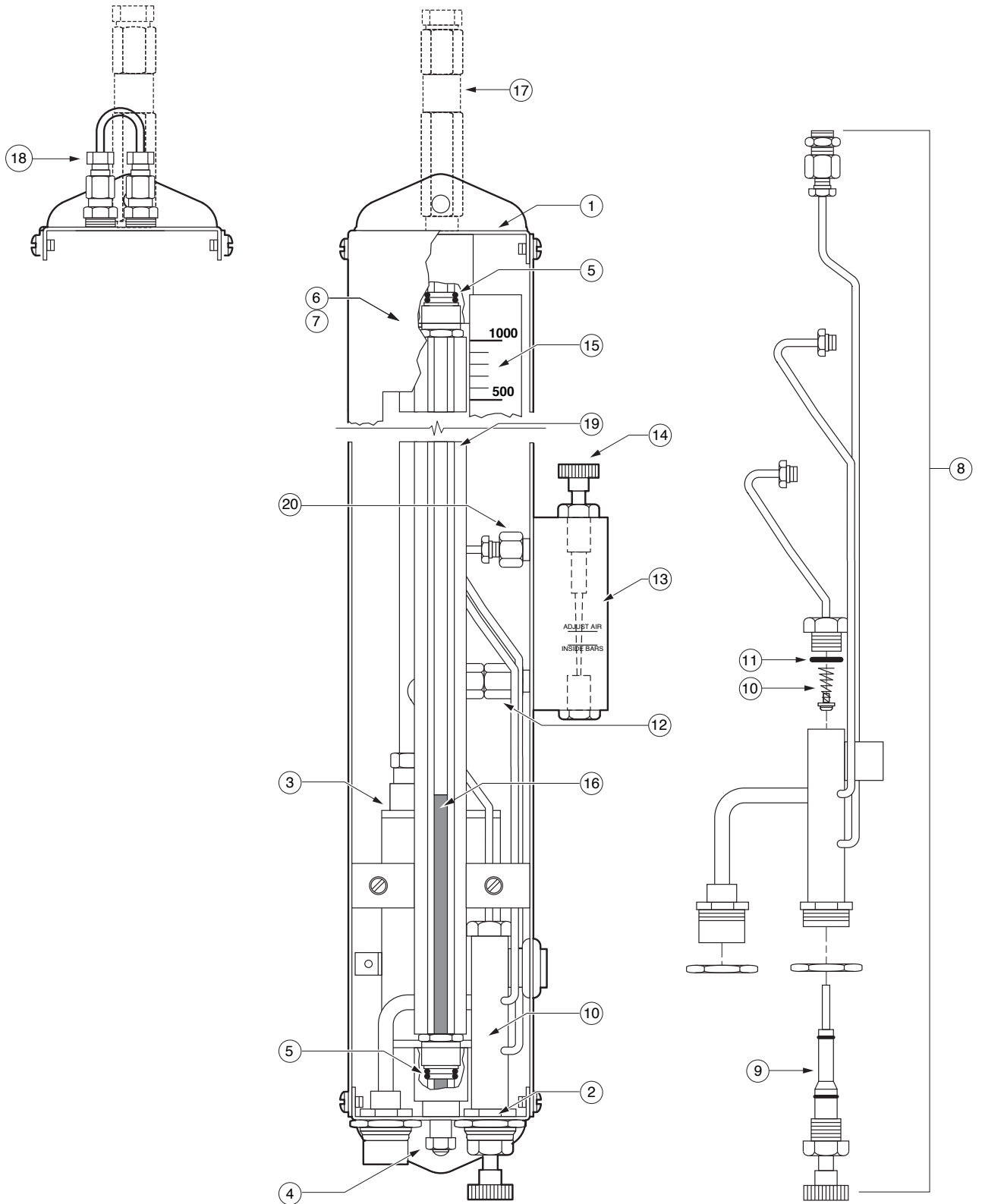
Notes:

1. F=painted steel, S=stainless steel.
2. Dash number indicates range.
3. Dash number indicates bottle size (8 or 16 oz. bottles only).
4. Sold by weight (1 lb. bottles only).
5. When ordering a replacement scale, the following information must be supplied:
 - Tank Designation
 - Unit(s) of measurement
 - Scale serial number
 - Specific gravity, product density, etc.

© King-Gage and the KE emblem are registered trademarks of King Engineering Corporation, Ann Arbor, Michigan U.S.A.

All specifications are subject to change without notice.

© 2009 King Engineering Corporation. All rights reserved.



This page intentionally left blank