

Service Parts & Dimensions – 1020-1.10

Effective: June 2002 (replaces July, 1996)

Model 860 Sensor Control

Part Number Reference:

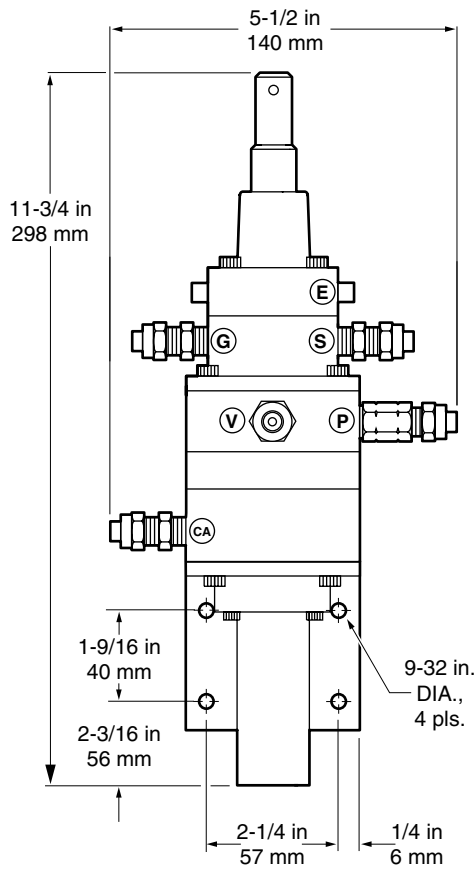
860 - 9 8

Adjustable Pressure Limit:
 3 - range 25" to 650"
 4 - range 650" to 1,750"
 5 - not applicable

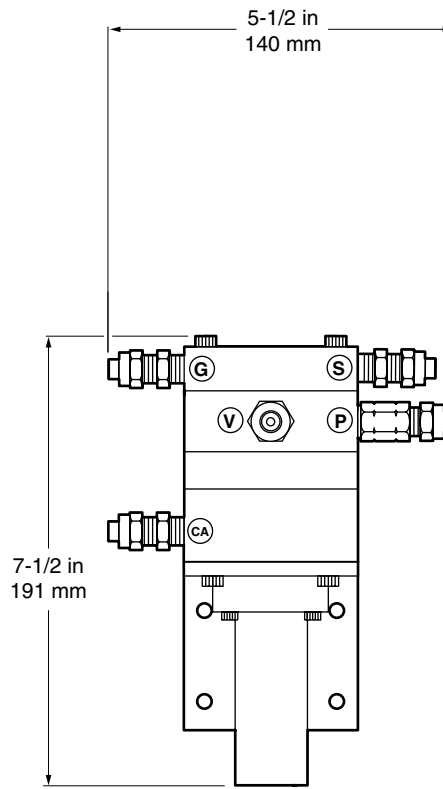
Fittings:
 1 - none
 3 - Polyflo
 4 - Hi Duty

Fitting Reference:

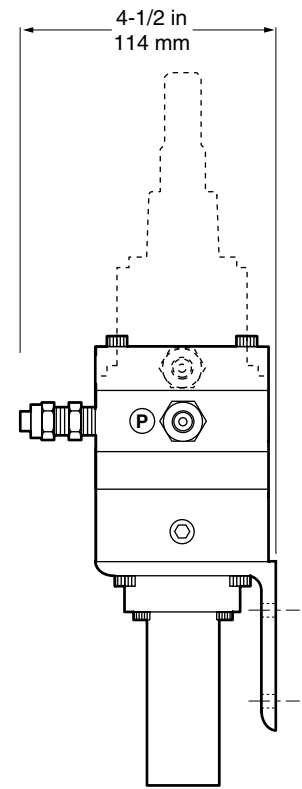
P Air Purge
 G Pneumatic Output
 CA Compressed Air
 S Signal Pressure
 E Equalizer Reference
 V Vent



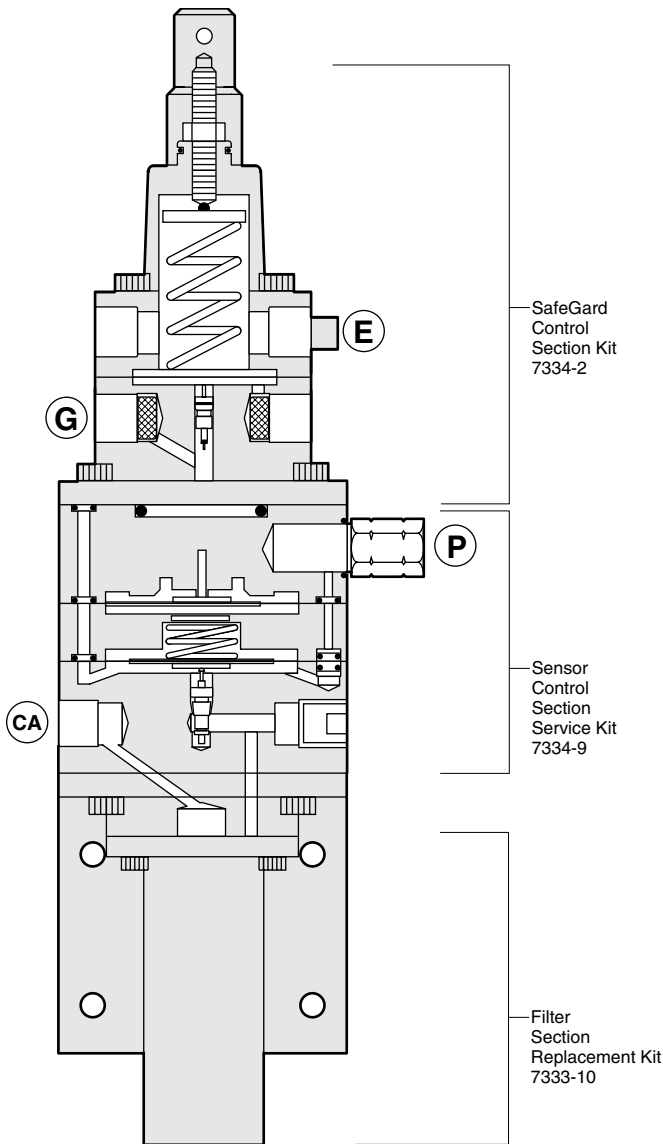
Front View
w/ SafeGuard



Front View
w/o SafeGuard



Right Side View



SafeGard Section Service Kit 7334-2

Description	Part No.	Qty.
Replacement Valve Kit	3257-10	1
Diaphragm	4506-3	1
O-Ring (large)	6495-407	1
Diaphragm Assy.	4508-5	1
O-Ring (small)	6495-559	1

Purge Control Section Service Kit 7334-9

Description	Part No.	Qty.
Replacement Valve Kit	3257-1	1
Orifice Assembly	4527-2	1
Diaphragm Assembly	4508-6	1
Spring (long)	6927-7	1
Diaphragm Assembly	4508-7	1
(w/rubber seat)		
Spring (short)	6927-6	1
O-Ring	6495-559	2

Filter Section Replacement Kit 7333-10

Description	Part No.	Qty.
Filter w/ O-Rings	7333-10	1

© King-Gage and the KE emblem are registered trademarks of King Engineering Corporation, Ann Arbor, Michigan, U.S.A.

All specifications are subject to change without notice

© 1996 King Engineering Corporation. All rights reserved