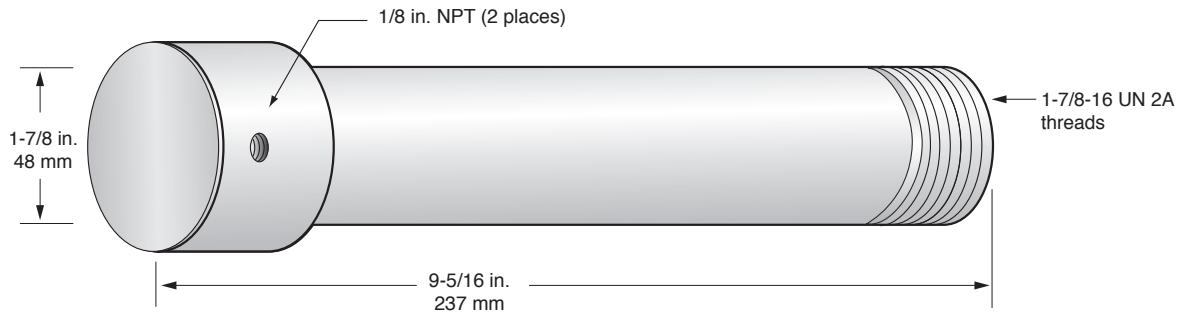


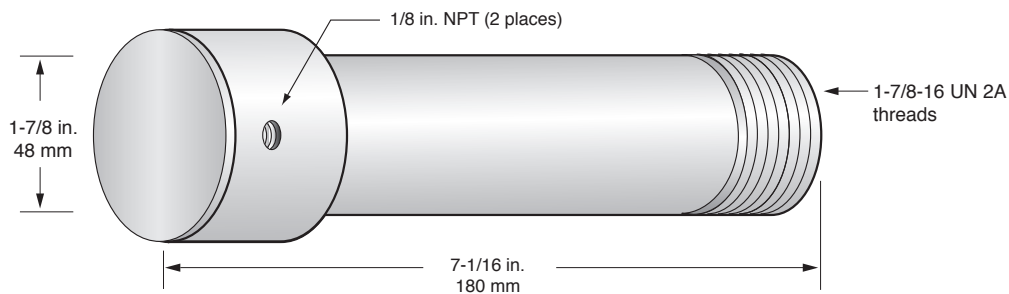
Service Parts & Dimensions – 1030-1.10

Effective: December 2010 (replaces February 2004)

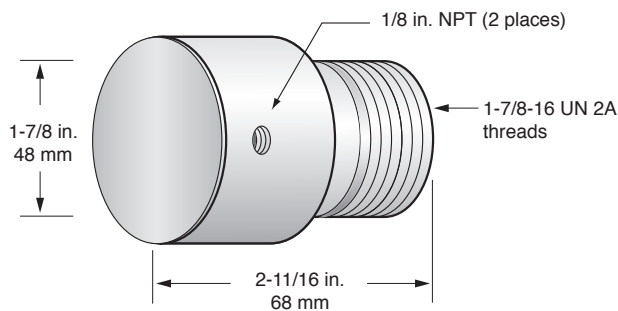
Test Fixture Shells Part No. 5668-1, 5668-2, 5668-3



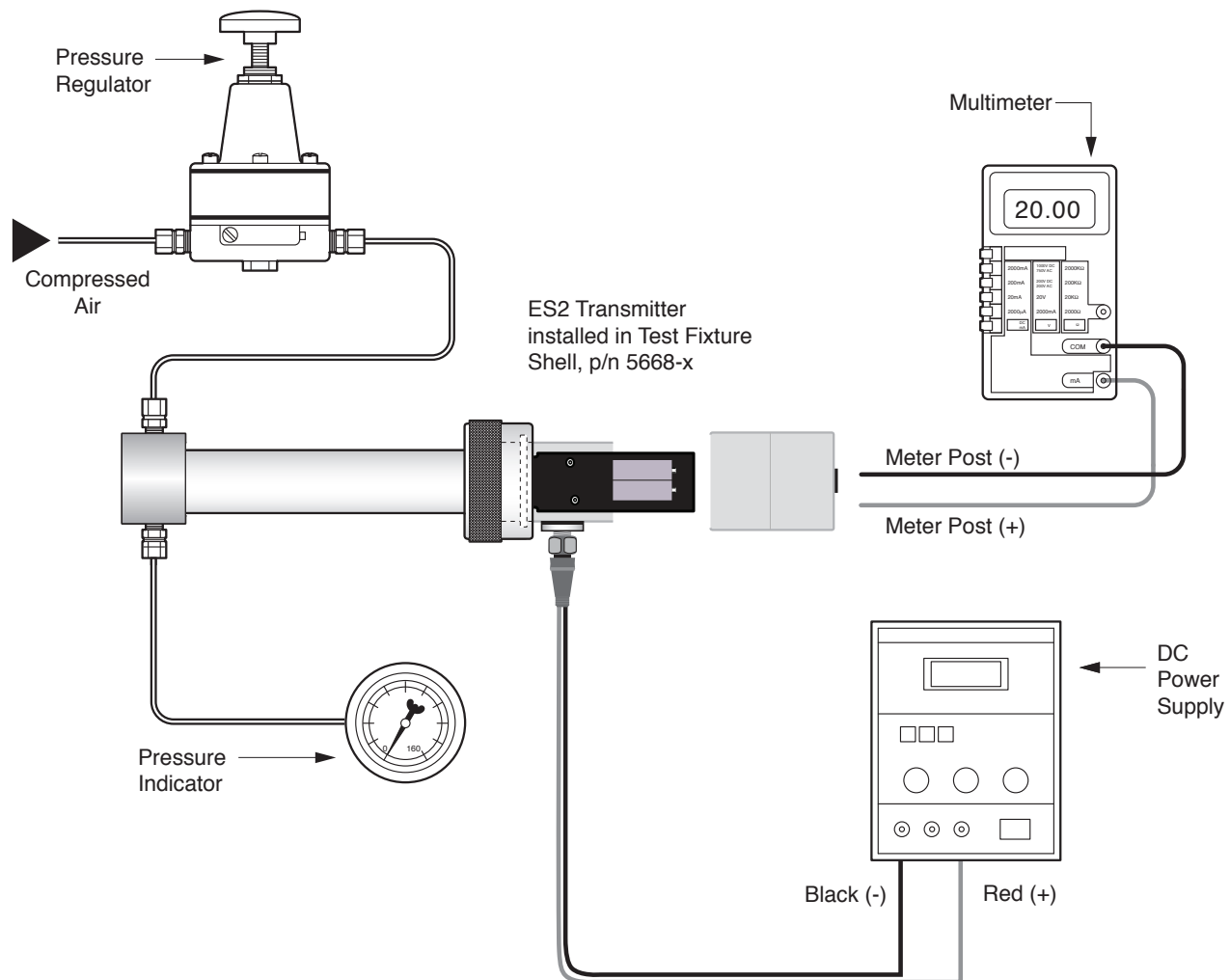
Long Test Shell 5668-3



Standard Test Shell 5668-2



Short Test Shell 5668-1



Typical Setup Using Test Fixture Shell