

Service Parts & Dimensions – 1040-1.10

Effective: June 2002 (replaces Feb, 1998)

780 SafeGard Purge Control

Part Number Reference:

780 - 98 - 8

Adjustable Pressure Limit:
6 - range 25" to 650"
7 - range 650" to 1,750"
8 - not applicable

Fittings:
1 - none
3 - Polyflo
4 - Hi Duty

Model 780 Purge Control

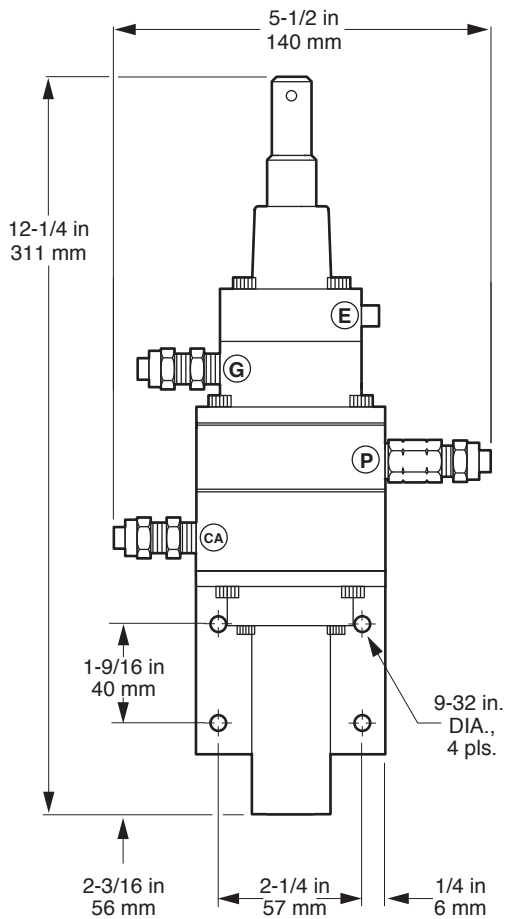
Part Number Reference:

780 - 98 - 88

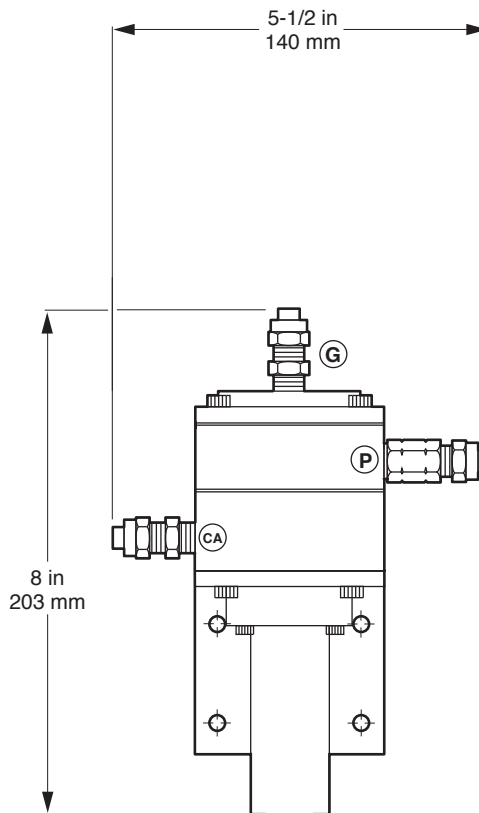
Fittings:
1 - none
3 - Polyflo
4 - Hi Duty

Fitting Reference:

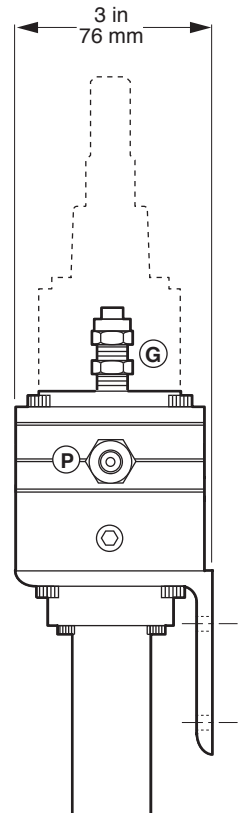
P..... Air Purge
G..... Pneumatic Output
CA..... Compressed Air
E..... Equalizer Reference



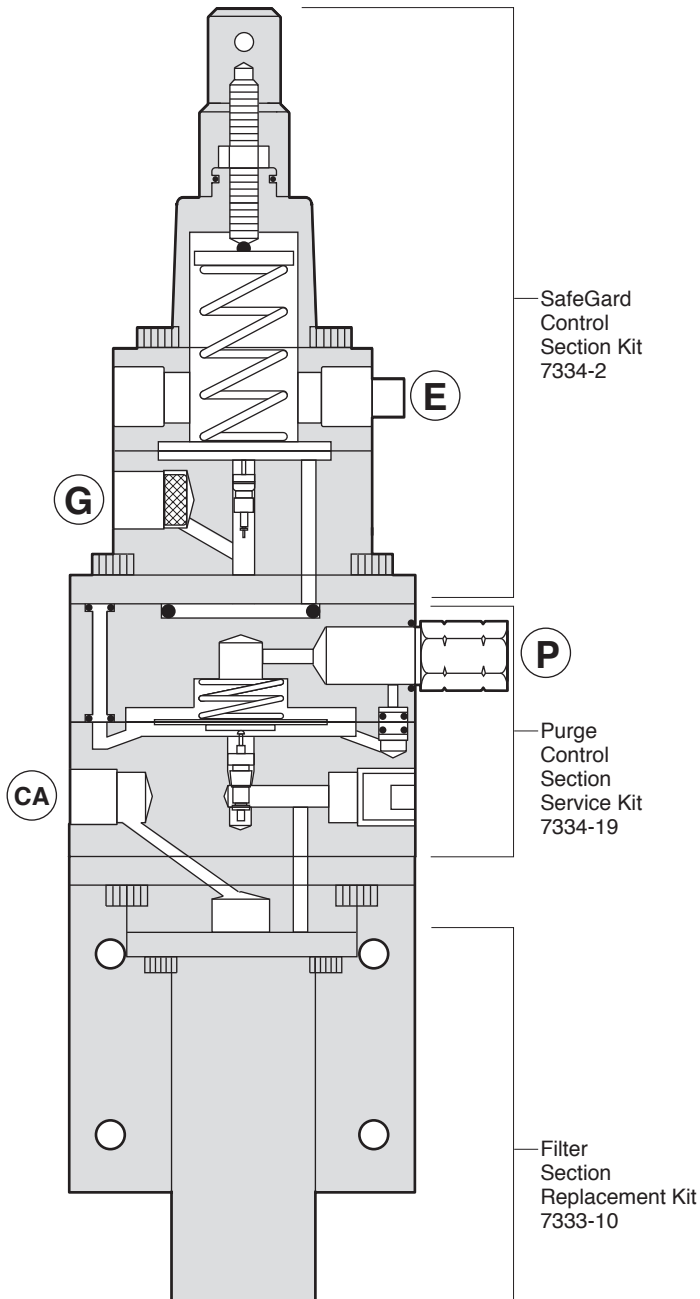
Front View
w/ SafeGard



Front View
w/o SafeGard



Right Side View



SafeGard Section Service Kit 7334-2

Description	Part No.	Qty.
Replacement Valve Kit.....	3257-10	1
Diaphragm.....	4506-3	1
O-Ring (large)	6495-407	1
Diaphragm Assy.....	4508-5	1
O-Ring (small)	6495-559	1

Purge Control Section Service Kit 7334-19

Description	Part No.	Qty.
Replacement Valve Kit.....	3257-1	1
Orifice Assembly	4527-2	1
Diaphragm Assembly	4508-6	1
Spring (long)	6927-7	1
O-Ring	6495-559	2
Guide Rods.....	3022-1	2

Filter Section Replacement Kit 7333-10

Description	Part No.	Qty.
Control Filter.....	7333-1	1
Long Arm Hex Key	7489-1	1
Control Filter Kit	5222-1	1
Filter Kit: O-Ring.....	6495-226.....	1
Filter Kit: O-Ring.....	6495-5.....	1
Filter Kit: Screws.....	3028s-5.....	4

© King-Gage and the KE emblem are registered trademarks of King Engineering Corporation, Ann Arbor, Michigan, U.S.A.

All specifications are subject to change without notice

© 2010 King Engineering Corporation. All rights reserved