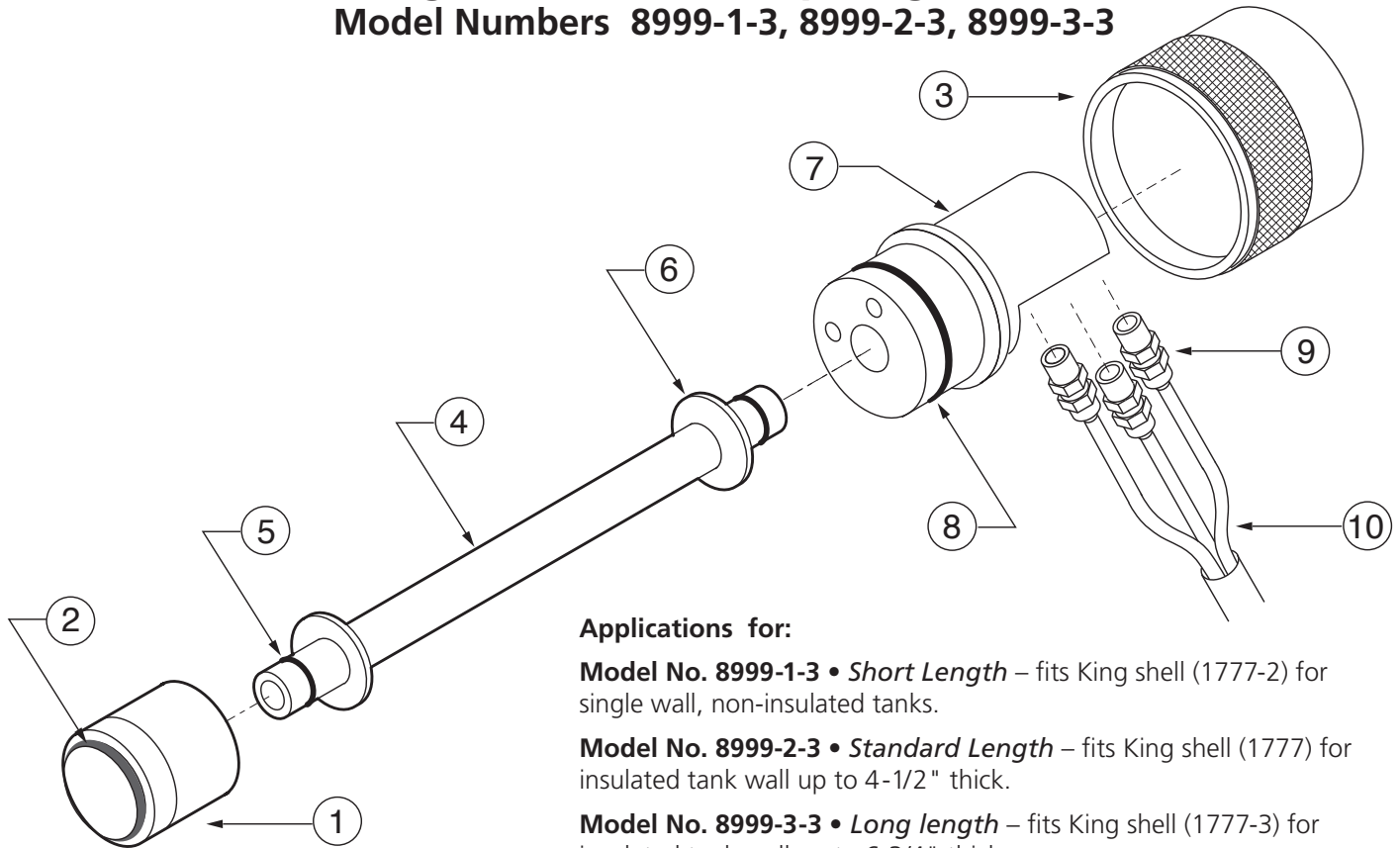


# Service Parts & Dimensions 1060-25.00

Effective: February, 2007 (replaces March, 2000)

## King AcraSensor Diaphragm Units Model Numbers 8999-1-3, 8999-2-3, 8999-3-3



### Applications for:

**Model No. 8999-1-3 • Short Length** – fits King shell (1777-2) for single wall, non-insulated tanks.

**Model No. 8999-2-3 • Standard Length** – fits King shell (1777) for insulated tank wall up to 4-1/2" thick.

**Model No. 8999-3-3 • Long length** – fits King shell (1777-3) for insulated tank wall up to 6-3/4" thick.

Item	Description	Model No. 8999-1-3	Model No. 8999-2-3	Model No. 8999-3-3	Notes
1	Metal Sensing Diaphragm	7904-1	7904-1	7904-1	1
2	Replacement Silicone O-Ring	6554-40	6554-40	6554-40	1
3	AcraSensor Nut	1751	1751	1751	-
4	Post Assembly	7859-1	7859-2	7859-3	2
5	O-Ring (2 required)	6554-7	6554-7	6554-7	2
6	Spring Washers (2 required)	3038	3038	3038	2
7	Replacement Connector Kit	1752-22-3	1752-22-3	1752-22-3	3
8	O-Ring	6495-24	6495-24	6495-24	3
9	1/8 NPT x 1/4 tube fitting, stainless steel (3 required)	8437S-22	8437S-22	8437S-22	3
10	3-Tube Cable (15 ft. length)	1766-15	1766-15	1766-15	4
	3-Tube Cable (over 15ft.)	8014-xx	8014-xx	8014-xx	4

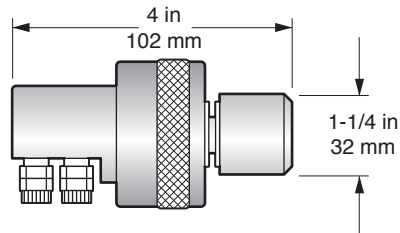
See reverse side for notes

**Notes:**

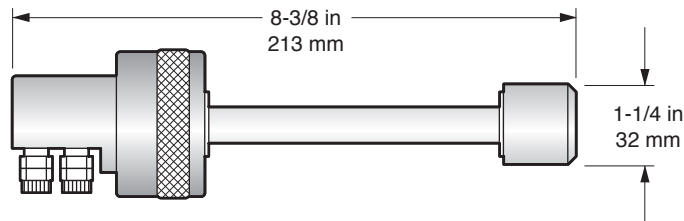
1. Sensing Diaphragm, p/n 7904-1 (item 1) includes O-Ring (item 2).
2. Post Assembly (item 4) includes O-Rings (item 5) and Spring Washers (item 6).
3. Replacement Connector Kit, p/n 1752-22-3 (item 7) includes O-Ring (item 8) and Fittings (item 9).
4. 3-Tube Cable (item 10) is available in standard 15 ft. length (p/n 1766-15). For lengths over 15 ft., order p/n 8014- $\underline{x}$  and specify total length (in feet) required (-  $\underline{x}$  represents number of feet specified).

**Dimensional Data:****Short (8999-1-3)**

- Overall length  
4 inches

**Standard (8999-2-3)**

- Overall length  
8-3/8 inches

**Long (8999-1-3)**

- Overall length  
10-5/8 inches

