

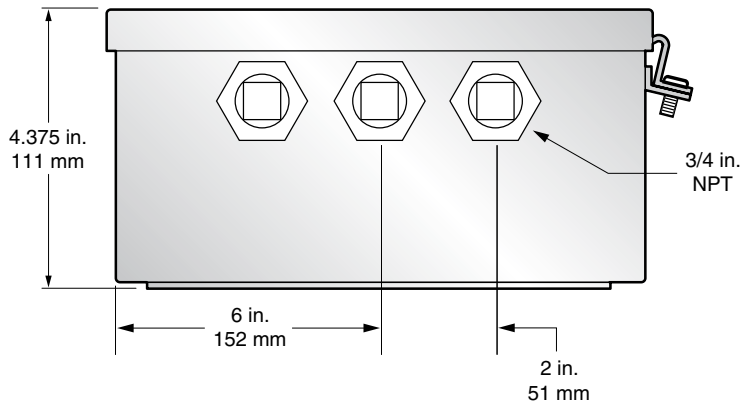
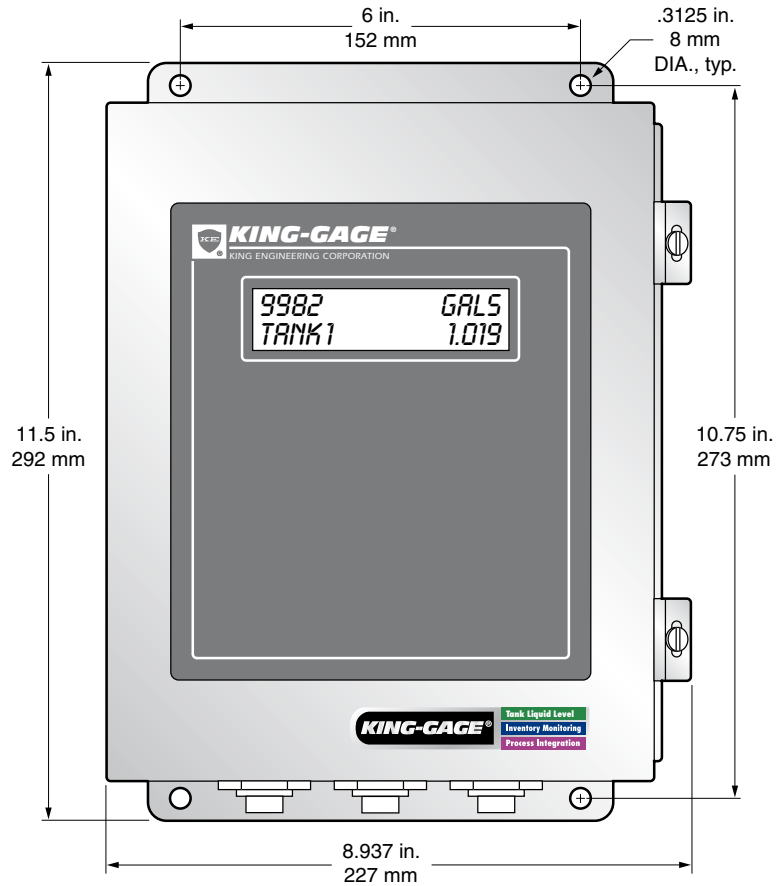
Service Parts & Dimensions – 1080-12.03

Effective: March, 2007

Model 4640-3 LP2™ Single Tank Processor

Specifications –

- **Power Requirements**
100-240 Vac, 50-60 Hz, 25 watts (fused internally for 2.5 A 120/250 V)
- **Temperature Range** (Environmental)
30°F to 120°F (-1°C to 49°C) operating range
- **Signal Input**
4-20 milliamperes (mA_{dc})
- **Power Output**
24 Vdc nominal; fused @ 0.5 Amp
- **Input Impedance** (Resistance)
120 ohm nominal (2.4 Vdc drop @ 20 mA_{dc})
- **Memory**
Nonvolatile 64kbit memory iButton
- **Digital Readout**
Alphanumeric 0.3173 in. (8 mm) 16-character x 2-line LCD; numeric 8-digit (0-99999999 maximum)
- **Accuracy**
±0.048% FS (±0.024% FS, typical)
- **Resolution**
±0.024% FS maximum (±0.004 mA)
- **Communications**
Two (2) serial EIA-485 ports; two wire multidrop
- **Enclosure**
14 gauge stainless steel enclosure; UL 50 types 4, 4X, 12, 13; hinged cover with dual latching screw lugs.



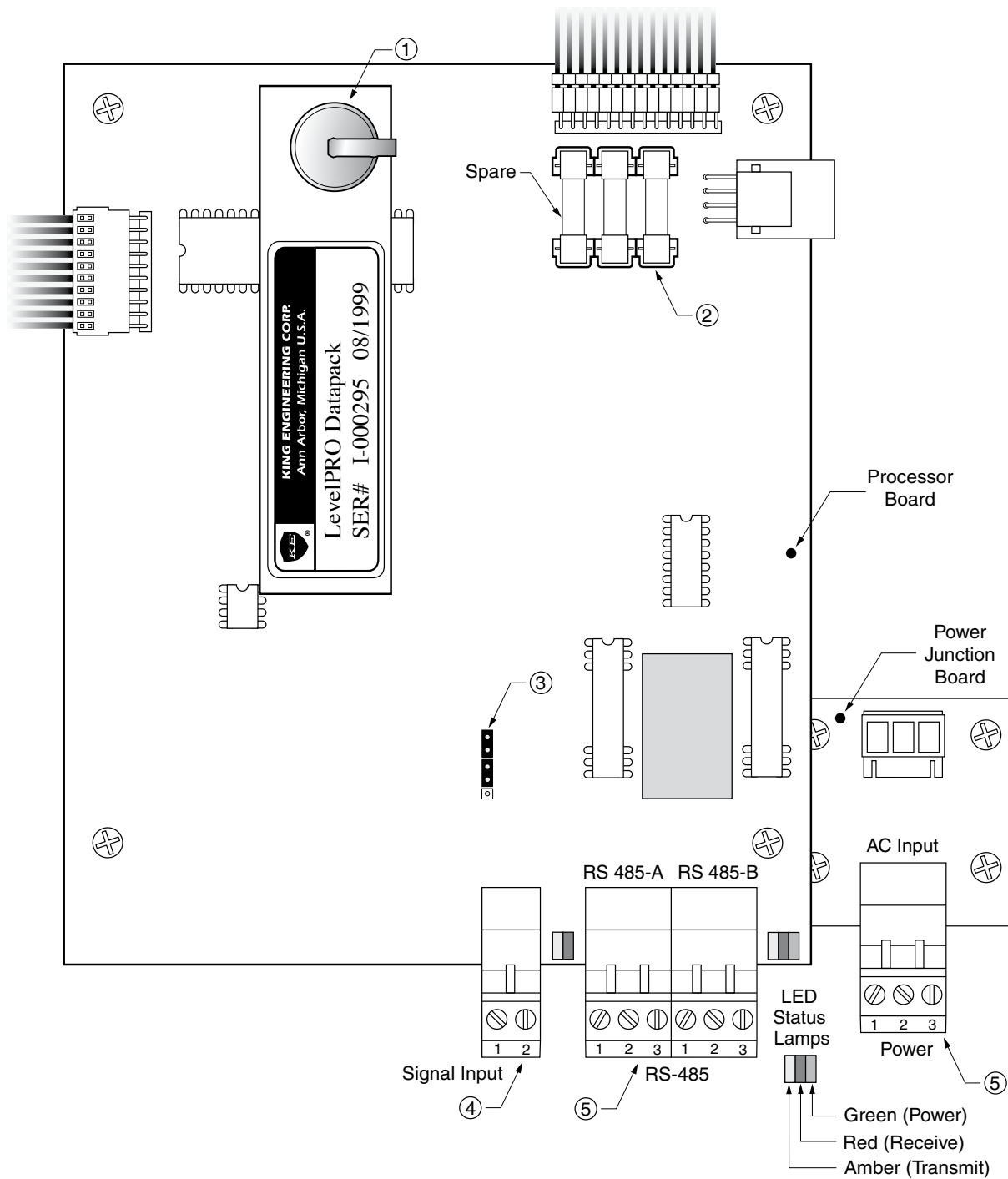
© King-Gage and the KE emblem are registered trademarks and LP2 is a trademark of King Engineering Corporation, Ann Arbor, Michigan, U.S.A.

All specifications are subject to change without notice

© 2007 King Engineering Corporation. All rights reserved



Box 1228, Ann Arbor, Michigan 48106-1228 U.S.A.
3201 South State Street, Ann Arbor, Michigan 48108-1625 U.S.A.
Phone: (734) 662-5691 ■ FAX: (734) 662-6652 ■ www.king-gage.com



Service Parts List

Item	Description	Part No.	
1	Datapack iButton		Note A
2	1/2 Amp 5 x 20 mm fuse (GMA 1/2)	7469-24-0	Note B
3	Shunt/Jumper	5926-1	Note C
4	2-terminal socket connector	5858-2	Note D
5	3-terminal socket connector	5858-3	Note D

Notes:

- A. Application datapack (64 kbit memory iButton) is factory configured with application-specific values. Please reference serial number when ordering replacement or upgrade.
- B. Left side fuse holder contains spare fuse. Replacement part listed is for 5-pack of fuses.
- C. Used in pairs. Position determines whether 24 Vdc excitation is supplied through input terminal.
- D. Screw clamp terminals accept the following wire sizes: #22-14 AWG (UL); #26-12 AWG (CSA).