

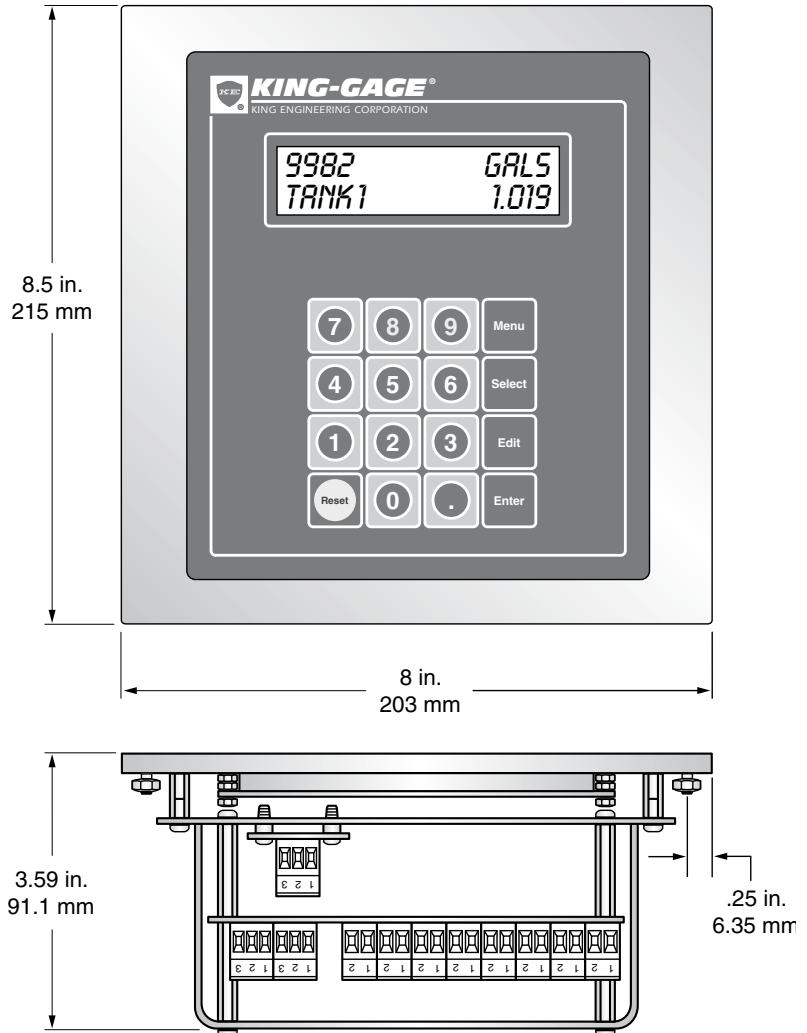
Service Parts & Dimensions – 1080-12.08

Effective: March 2007 (replaces June, 2002)

Model 4641-4-0 LP2™ Multi-Tank Processor

Specifications –

- **Power Requirements**
100-240 Vac, 50-60 Hz, 25 watts (fused internally for 2.5 A 120/250 V)
- **Temperature Range** (Environmental)
30°F to 120°F (-1°C to 49°C) operating range
- **Signal Input**
4-20 milliampères (mAdc)
- **Input Channels**
8 input channels; two wire 4-20 mA analog signal
- **Keypad**
Membrane numeric keypad, five (5) function keys, positive tactile response
- **Power Output**
24 Vdc nominal; fused @ 0.5 Amp
- **Input Impedance** (Resistance)
120 ohm nominal (2.4 Vdc drop @ 20 mAdc)
- **Memory**
Nonvolatile 64kbit memory iButton
- **Digital Readout**
Alphanumeric 0.3173 in. (8 mm) 16-character x 2-line LCD; numeric 8-digit (0-99999999 maximum)
- **Accuracy**
±0.048% FS (±0.024% FS, typical)
- **Resolution**
±0.024% FS maximum (±0.004 mA)
- **Communications**
Two (2) serial EIA-485 ports; two wire multidrop
- **Mounting Flange/Housing**
11 gauge stainless steel plate, 2B finish; closed cell neoprene gasket; aluminum rear cover housing.



© King-Gage and the KE emblem are registered trademarks and LP2 is a trademark of King Engineering Corporation, Ann Arbor, Michigan, U.S.A.

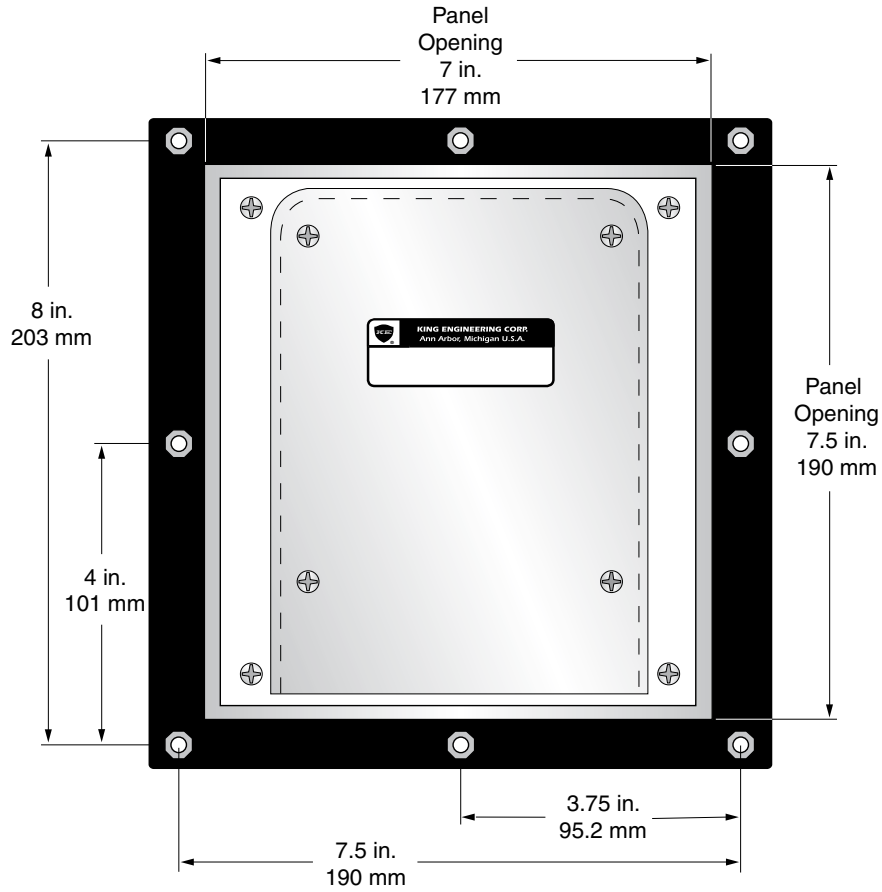
All specifications are subject to change without notice

© 2007 King Engineering Corporation. All rights reserved



Box 1228, Ann Arbor, Michigan 48106-1228 U.S.A.
3201 South State Street, Ann Arbor, Michigan 48108-1625 U.S.A.

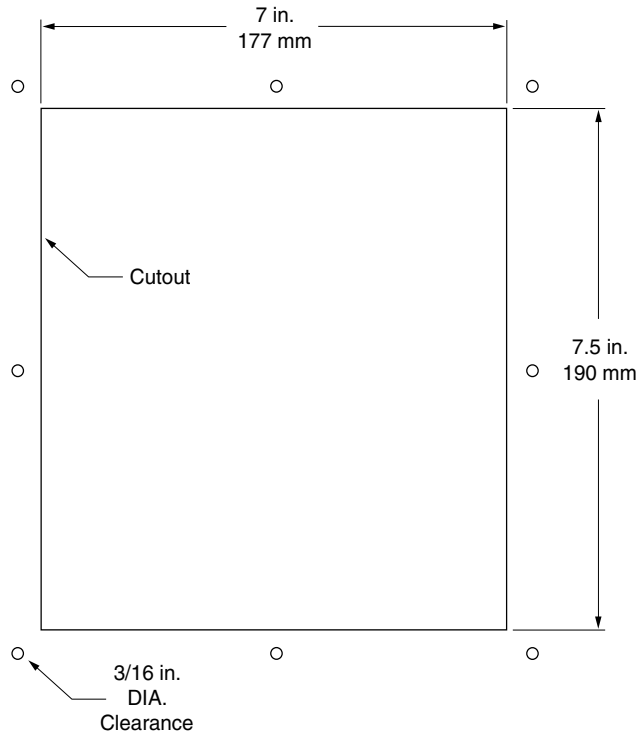
Phone: (734) 662-5691 ■ FAX: (734) 662-6652 ■ www.king-gage.com

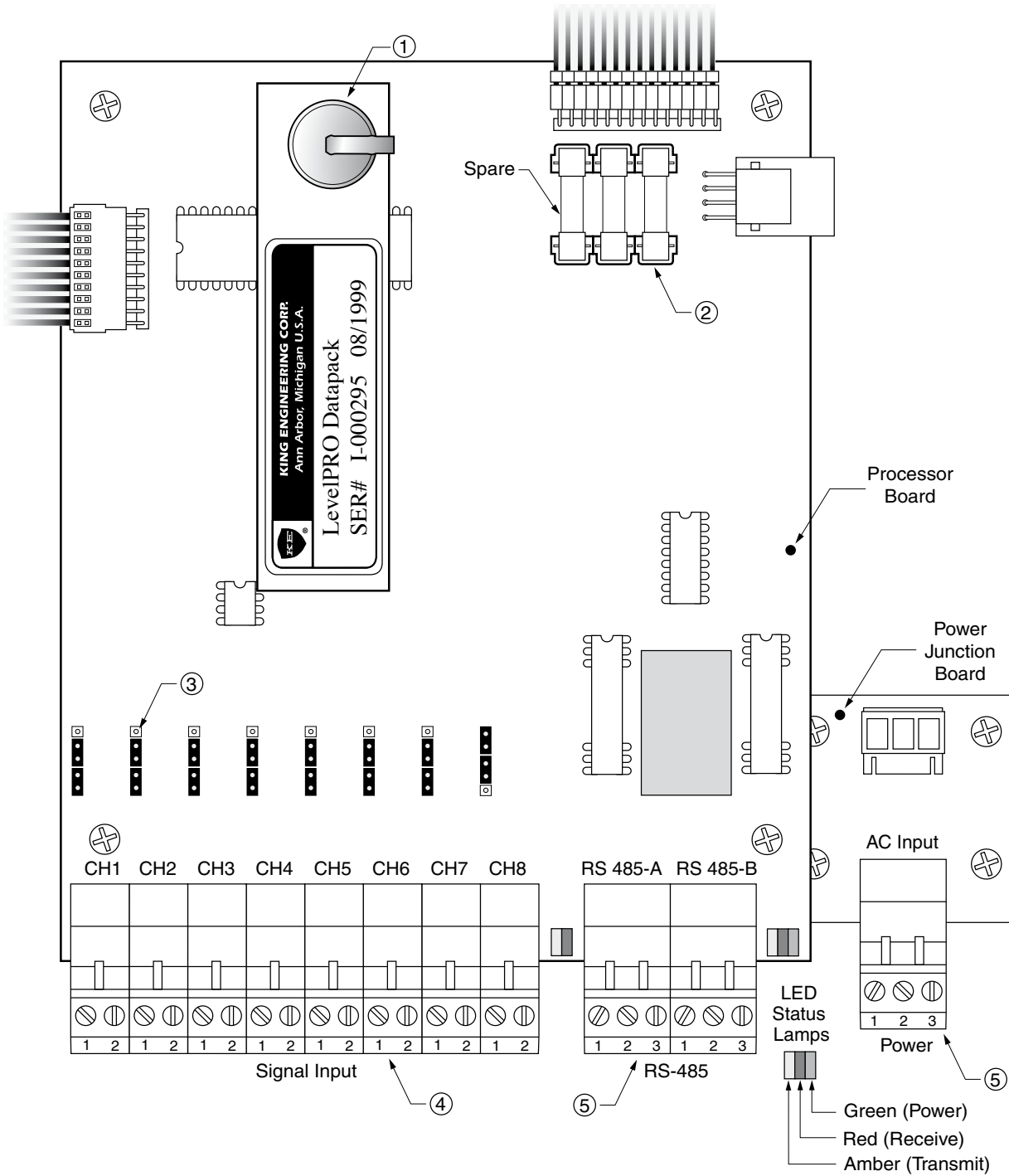


Panel Opening Requirement

Flush mounting assembly is intended to fit within an opening having dimensions noted above.

Drill 3/16 in. diameter clearance holes to accept eight (8) mounting studs (#6-32 x 3/8 in.) for anchoring assembly against panel opening.





Service Parts List

Item	Description	Part No.
1 Datapack iButton	Note A
2 1/2 Amp 5 x 20 mm fuse (GMA 1/2)	7469-24-0
3 Shunt/Jumper	5926-1
4 2-terminal socket connector	5858-2
5 3-terminal socket connector	5858-3

Notes:

- A. Application datapack (64 kbit memory iButton) is factory configured with application-specific values. Please reference serial number when ordering replacement or upgrade.
- B. Left side fuse holder contains spare fuse. Replacement part listed is for 5-pack of fuses.
- C. Used in pairs. Position determines whether 24 Vdc excitation is supplied through input terminal.
- D. Screw clamp terminals accept the following wire sizes: #22-14 AWG (UL); #26-12 AWG (CSA)