

Service Parts & Dimensions 1090-10.30

Effective: Nov 2010 (Oct 2010)

LevelBAR HP Electronic Column Display Model 5111-3x Hand Pump Operation

5111-3x Series LevelBAR Indicator Specifications

Analog electronic column indicator with integral differential pressure (D/P) transmitter generates milliamp output in response to applied pressure. Individual LED segments illuminate sequentially as signal (i.e., pressure) increases.

Display Accuracy/Resolution

1%

Display Type

100-segment LED (light emitting diode)

Display Length

10 in./ 254 mm

Input Power

100–240 Vac, 50/60 Hz, source ground

Temperature Range (Environmental)

30° to 120° F (-1° to 49° C) operating range

Input Pressure Ranges

0-5, -10, -15, -30 psid fixed range transmitter element (accepts clean, dry air/gas pressure input). Maximum pressure rating is 300% FS. Minimum pressure range for proper operation is 50% of nominal. The lowest acceptable input pressure range is 0–2.5 psid using the 0–5 psid transducer element.

Transmitter Accuracy

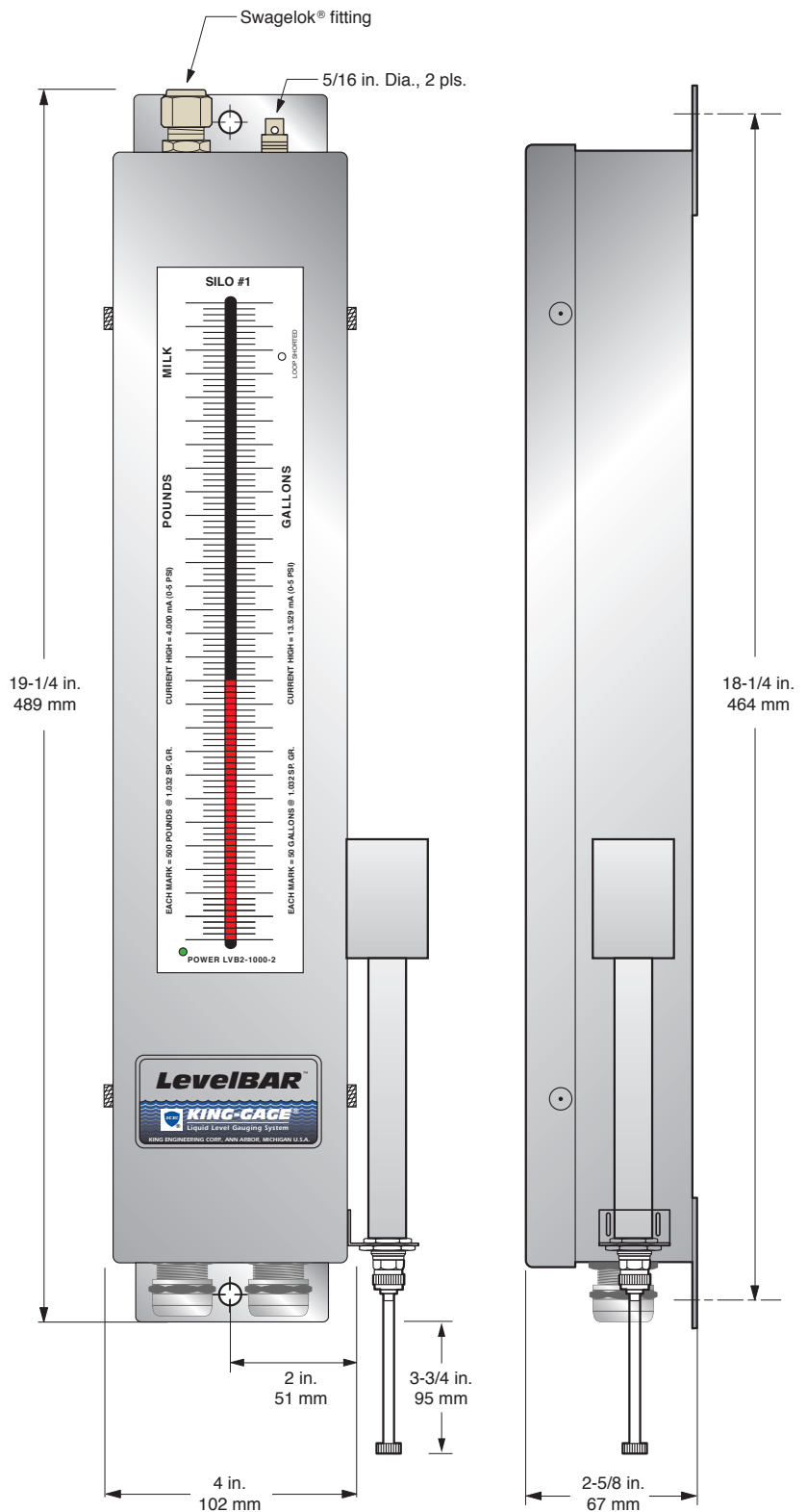
0.5% FS

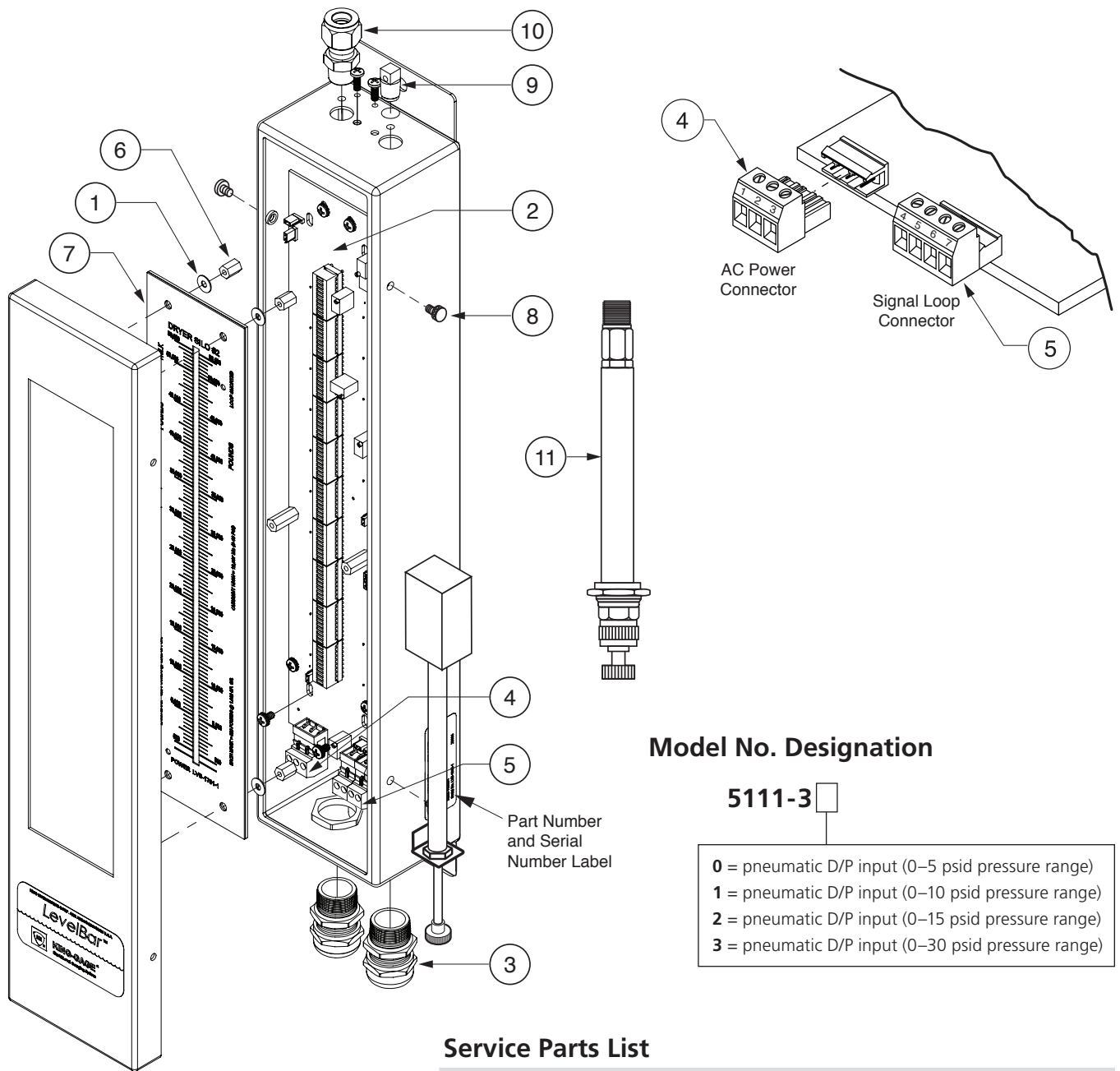
Physical Data

304 stainless steel housing and cover with gasket seal, transparent polycarbonate display window. Intended to meet splash proof requirements. The use of waterproof conduit hubs or fittings may be required during installation. Not rated for continuous explosion hazard areas.

IMPORTANT!

Not rated for explosion hazard designated areas.





Service Parts List

Item	Description	Quantity	Part No.
1	flat washer, 316 SS	4	2578-10
2	LevelBAR v2 0-5 psid input, display & power supply assy LevelBAR v2 0-10 psid input, display & power supply assy LevelBAR v2 0-15 psid input, display & power supply assy LevelBAR v2 0-30 psid input, display & power supply assy		5109-31 5109-32 5109-33 5109-34
3	1/2" NPT liquid tight connector w/ locknut (Sealcon)	2	5204-0-21
4	3-terminal socket connector	1	5858-3
5	4-terminal socket connector	1	5858-4
6	1/4" x 11/32" L aluminum hex standoff	4	5925-6
7	LevelBAR v2 replacement scale, 1-unit LevelBAR v2 replacement scale, 2-unit		5981-1 5981-2
8	6-32 x 3/8" SS thumbscrew	4	7913S-10
9	1/8" NPT vent plug, polyethylene	1	7499-2
10	1/4" tube x 1/8" NPT Swagelok fitting, male	1	8437S-22
11	Hand pump assembly	1	5147-5



Box 1228, Ann Arbor, Michigan 48106-1228 U.S.A.
Phone: (734) 662-5691 • FAX: (734) 662-6652
www.king-gage.com

© King-Gage and the KE emblem are registered trademarks of King Engineering Corporation, Ann Arbor, Michigan, U.S.A.

All specifications are subject to change without notice.

© 2010 King Engineering Corporation. All rights reserved.