



REV. C  
9 / 82

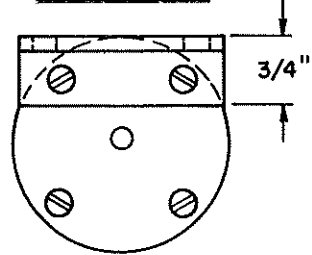
CERTIFICATION DATA SHEET

CATALOG 9000  
SECTION 7410

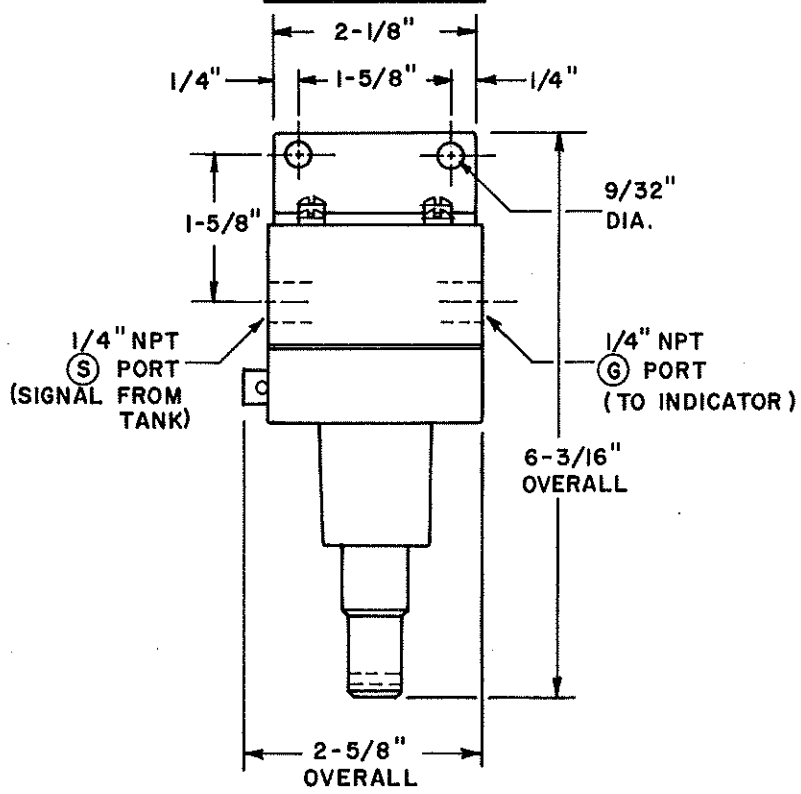
MODEL 4530 KING SAFEGARD CONTROL

KING ENGINEERING CORPORATION ● BOX 1228 ANN ARBOR, MICHIGAN 48106 U.S.A. ● PHONE (313)662-5691

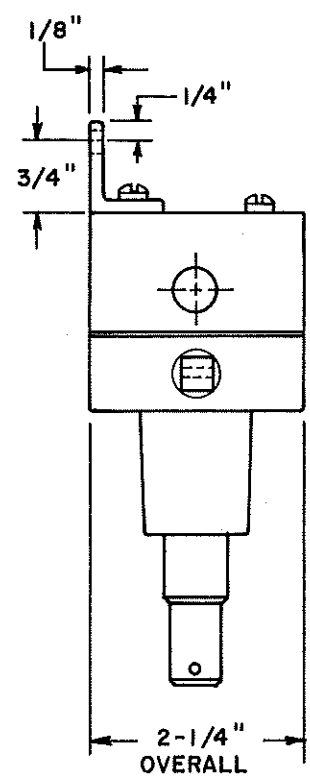
TOP VIEW



FRONT VIEW



SIDE VIEW



NOTE :

1) SAFEGARD ADJUSTMENT SPRING SELECTION IS DETERMINED ON THE BASIS OF SPECIFIED INDICATOR RANGE AND INDICATING LIQUID.

SAFEGARD MODEL NO. DESIGNATION

4530 - 1 - \* - 1 (\*\*\*)

BASE NO.

SPRING (NOTE 1)		INDICATOR RANGE (IN.)	
		RED LIQUID (R)	MERCURY (M)
0	2021-21-0	12R TO 51R	
1	2021-21-1	58R TO 73R	12M TO 58M
2	2021-21-2		66M TO 73M

NOTE : SEE PAGE 2 FOR SERVICE PARTS LIST.



REV. C  
9 / 82

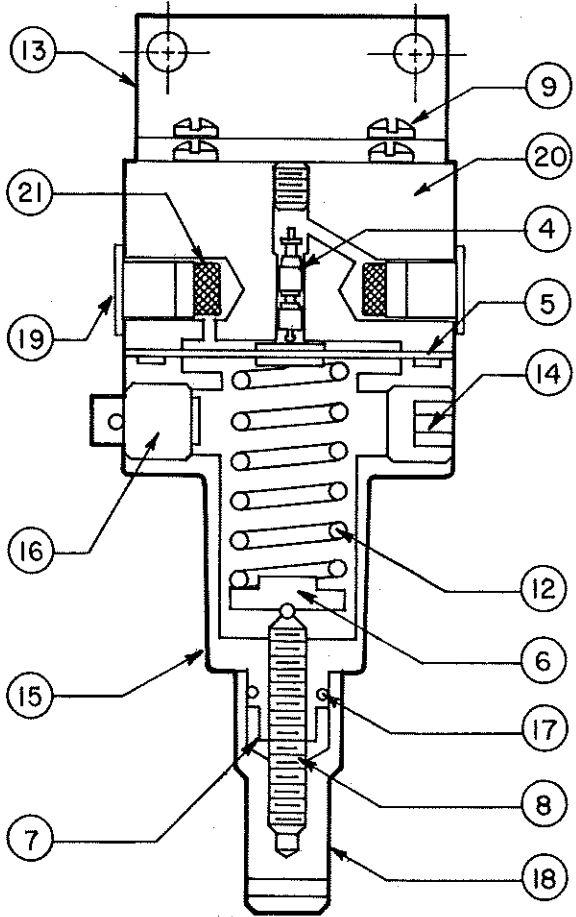
**CERTIFICATION DATA SHEET**

CATALOG 9000  
SECTION 7410

**MODEL 4530 KING SAFEGARD CONTROL**

KING ENGINEERING CORPORATION ● BOX 1228 ANN ARBOR, MICHIGAN 48106 U.S.A. ● PHONE (313)662-5691

**SERVICE PARTS LIST**



ITEM NO.	PART NO.	DESCRIPTION
*SERVICE KIT NO. 4575-3	1 • 4506-3	DIAPHRAGM (BACK UP)
	2 • 6495-407	O-RING
	3 • 4537	SPRING PAD
	4 3257-10	REPLACEMENT VALVE KIT
	5 4508-5	DIAPHRAGM (CONTROL)
	6 4578	SPRING RETAINER
	7 4581	HEX NUT (STAINLESS ST.)
	8 4579-3	ADJUSTMENT SCREW
	9 4528-3	SCREWS (4)
	10 • 4563	SPACER
	11 • 6927-8	SPRING
	12 2021-21-0	SPRING LOAD 0.5-5.3 PSI
	2021-21-1	SPRING LOAD 5-18 PSI
	2021-21-2	SPRING LOAD 15-60 PSI
13	7624-28NP	MOUNTING BRACKET
14	3062-104	PIPE PLUG (FLUSH SEAL)
15	4535-2	SPRING HOUSING
16	7499-1	VENT PLUG
17	6495-213	O-RING
18	7328	ADJUSTMENT SCREW CAP
19	8145-241	PIPE PLUGS (2)
20	4538B	BODY & VALVE ASSEMBLY
21	9323-81	SCREEN

\* ITEM NUMBERS 1 THRU 12 ARE ALL INCLUDED WITH SERVICE KIT NO. 4575-3. HOWEVER, THOSE PART NUMBERS THAT ARE DOTTED ARE APPLICABLE ONLY TO OLDER SAFEGARD MODELS AND MAY BE DISCARDED. NEW SAFEGARD MODEL IS SHOWN ON LEFT.