

KING-GAGE® Marine Systems

Tank Level and Draft Indicating Systems for the Marine and Offshore Industries

U205 Ultra-C Marine Air Control Station

- Provides Clean, Dry, Oil-Free Compressed Air
- Color Change Cartridge Life Indicator
- Filter, Regulator and Auto Drain Trap

KING U205 Ultra-C Air Control Station is intended for light duty service environments to protect air operated equipment and instrumentation. Without question, most shipboard compressed air systems contain solid and liquid contaminants that affect performance and increase wear on equipment. Precision pneumatic instrumentation including KING-GAGE tank level gauging systems require clean, dry and oil-free compressed air for trouble free operation.

Model U205 Air Control Station is based on the KING Ultra C Filter combined with a filter-regulator and dial pressure gauge. The high efficiency 20 scfm two stage filter uses a self-draining coalescing element to remove large amounts of solid and liquid contaminants from the airline. This version of the station also includes a filter-regulator and dial gauge.

King filter cartridge elements provide equal efficiency regardless of flow rate. Another unique aspect of the U205 design is a color indicating feature on the visible top element to signal the need for replacement. Performance is consistent in that filtering efficiency does not diminish during the life of the cartridges.

KING U205 Air Control Stations are intended for light duty environments not directly exposed to salt water and/or prolonged direct sunlight exposure. The U205 has an aluminum housing with polycarbonate sumps, while the regulator is supplied with cast zinc body. Inlet and outlet connections are 1/2" NPT designed to accept standard tube or pipe fittings.



**Ultra-C Air Control Station
(Light Duty Service)**

KING-GAGE® Marine Systems

Applications

Tank Gauge Panels: Air operated tank level gauges will be more dependable and require less maintenance when the KING Air Control Station is used. This provides complete filtration (especially with automatic drain version) and control of the compressed air supply to these pneumatic instruments.

Downpipe Tank Sensors: Installed upstream of the main take off to Purge Control downpipe sensors, the Air Control Station provides clean, regulated compressed air. One (1) KING Air Control Station can service dozens of individual pneumatic tank Purge Controls or LiquiSeal Controls.

Specifications

AIR CONTROL STATION

MODEL U205 w/ automatic sump drain
MODEL U206 w/ manual sump drain

Maximum Inlet Pressure:

150 psig (10.3 bar)

Regulated Pressure Range:

0-100 psig (0-6.9 bar)

Dial Pressure Gauge:

0-160 psig (0-11.0 bar)

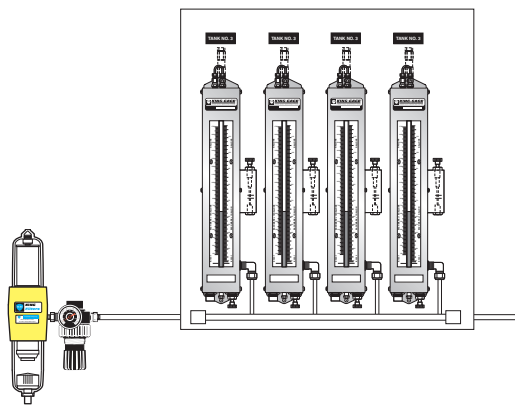
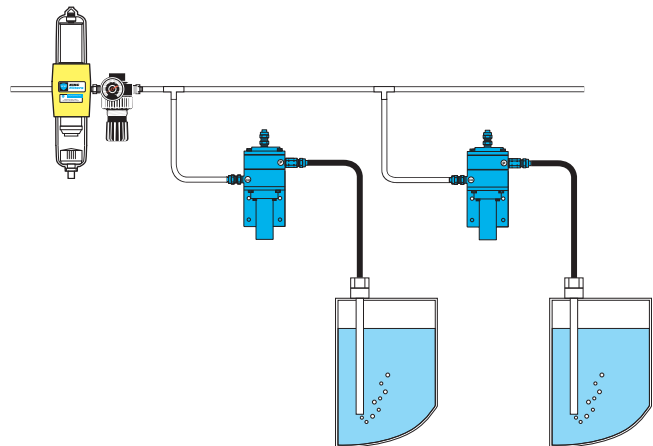
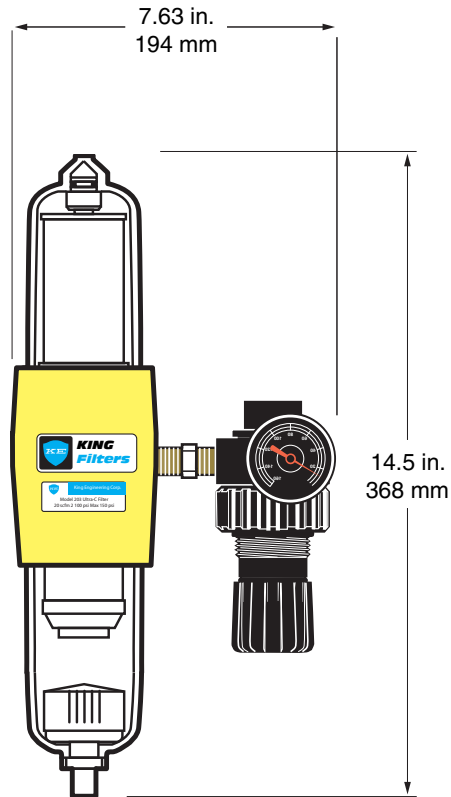
Capacity (Flow):

20 scfm @ 100 psig (34 m³/hr @ 6.9 bar)

Connections (Inlet/Outlet): 1/2 NPT

Materials of Construction:

Aluminum housing, polycarbonate bowl/sump, cast zinc (regulator)



3201 South State, Ann Arbor, Michigan 48108 U.S.A.
PO Box 1228, Ann Arbor, Michigan 48106-1228
Phone: 734-662-5691 • FAX: 734-662-6652



www.king-gage.com

© KING-GAGE and the KE emblem are registered trademarks of King Engineering Corporation, Ann Arbor, Michigan U.S.A.

All specifications are subject to change without notice.
© 2008 King Engineering Corporation, all rights reserved.