

Figure 1 – Mounting Dimensions

### LevelBAR HP Mounting

The indicator should be mounted in a suitable location where electrical power will be available. While the housing affords protection against repeated wash downs, high humidity or extremely wet locations should be avoided whenever practical. Use only watertight conduit fittings or other connectors for the installation. Do not locate system where sub-freezing temperatures will be encountered (30 F/-1C below).

1. Mount housing vertically with 1/2" NPT connection at bottom as shown. Use mounting dimensions given in **Figure 1**.
2. Bolt the housing securely to wall or other rigid structural member.

### LevelBAR HP Power Requirements

120 Vac, 50/60 Hz. single phase, 0.5 Amp max.

### Internal Electrical Connections

To access the internal connections, remove the two (2) screws at the top of the housing as well as the four (4) screws that secure the cover.

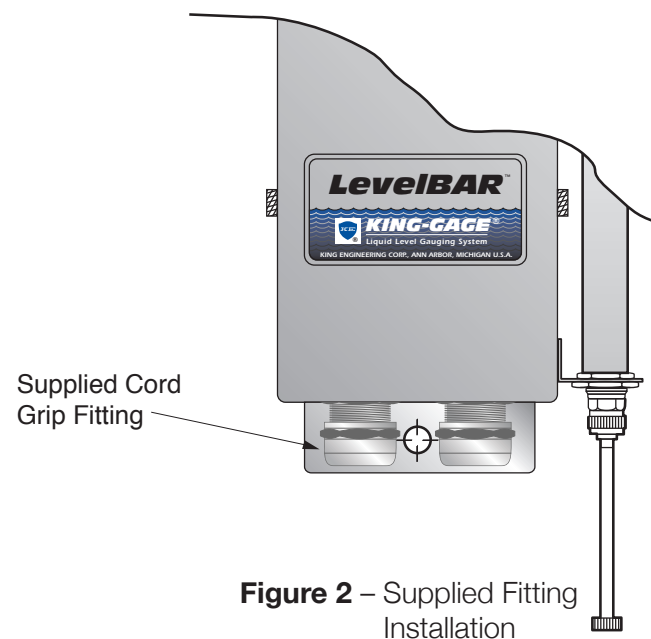


Figure 2 – Supplied Fitting Installation

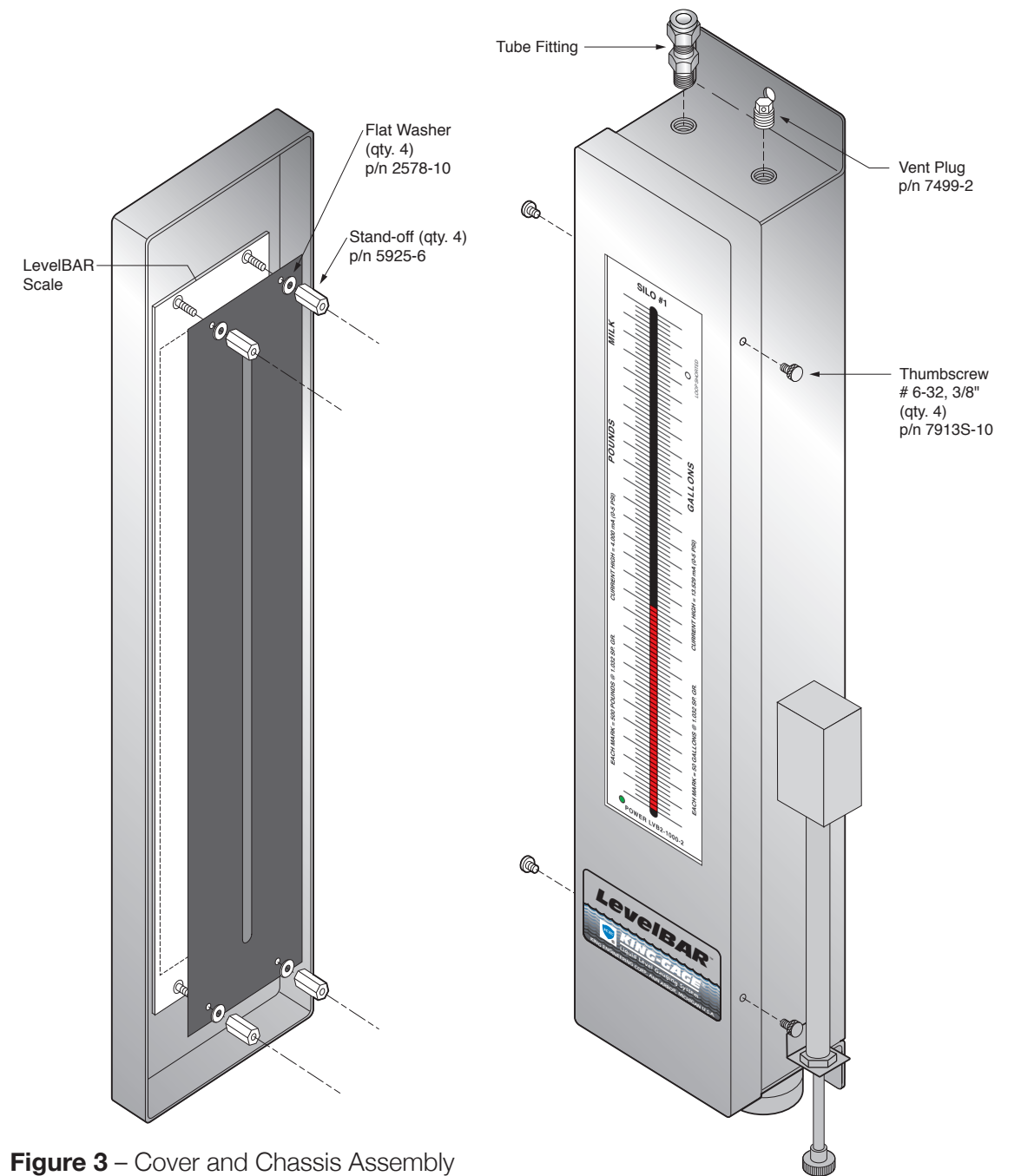


Figure 3 – Cover and Chassis Assembly

## INSTALLATION INSTRUCTIONS

### **KING-GAGE®** LevelBAR HP Hand Pump Indicator Model 5111-3x

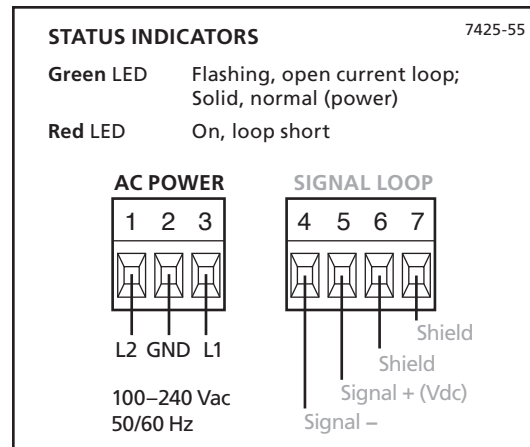
			DATE	9/27/2010
B	9/10	v2	DRAWN BY	D. Kennedy
A	2/10	Released	APPROVED	



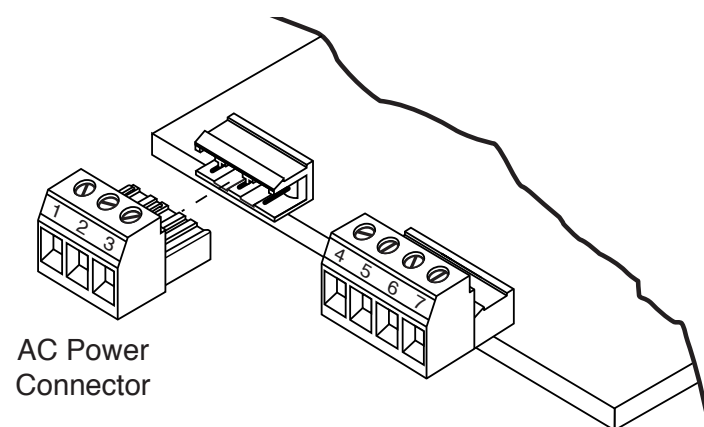
Box 1228, Ann Arbor, MI 48106-1228 U.S.A.  
Phone: 734-662-5691 • FAX: 734-662-6652

DWG. NO.  
**K-1090-1-5130**

SHEET **1** OF **2** REV. **B**



**Figure 4** – Signal Jumper and Terminal Locations



**Figure 5** – Connection Terminals

**Power (120 Vac)**

Connect the LevelBAR HP indicator to a grounded 120 Vac, 50/60 Hz. power source. Maintain polarity (GND/NEU/HOT) as indicated. Use only watertight conduit for hubs or fittings for the 1/2" NPT connection cable entry at the bottom of the housing.

**4-20 mA Signal Input**

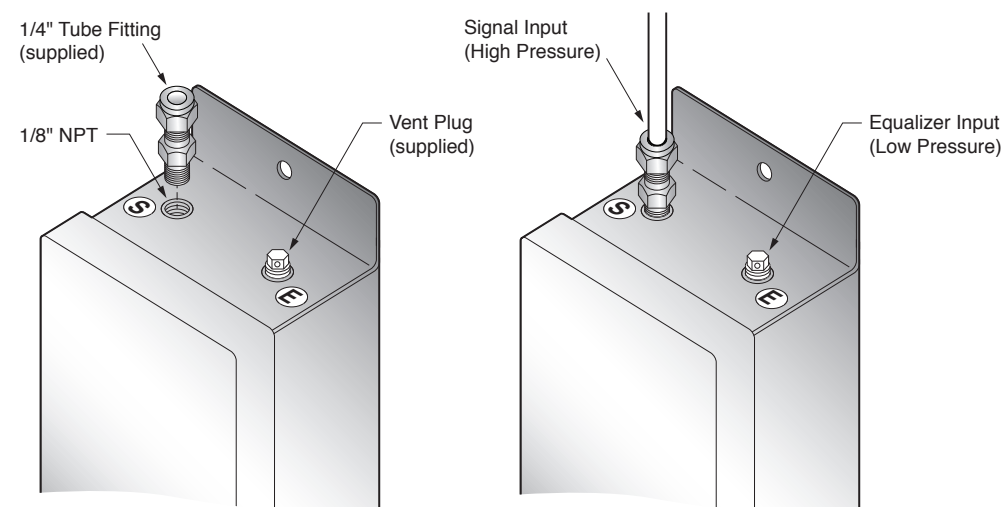
The LevelBAR HP can provide a 4-20 mA output\* signal for monitoring or control use. If the 4-20 mA output will not be used, the factory installed jumper wire must remain connected to terminals #4 and #5.

\*Actual milliamp output may be less than 20 mA depending upon application and pressure range of the internal D/P transmitter.

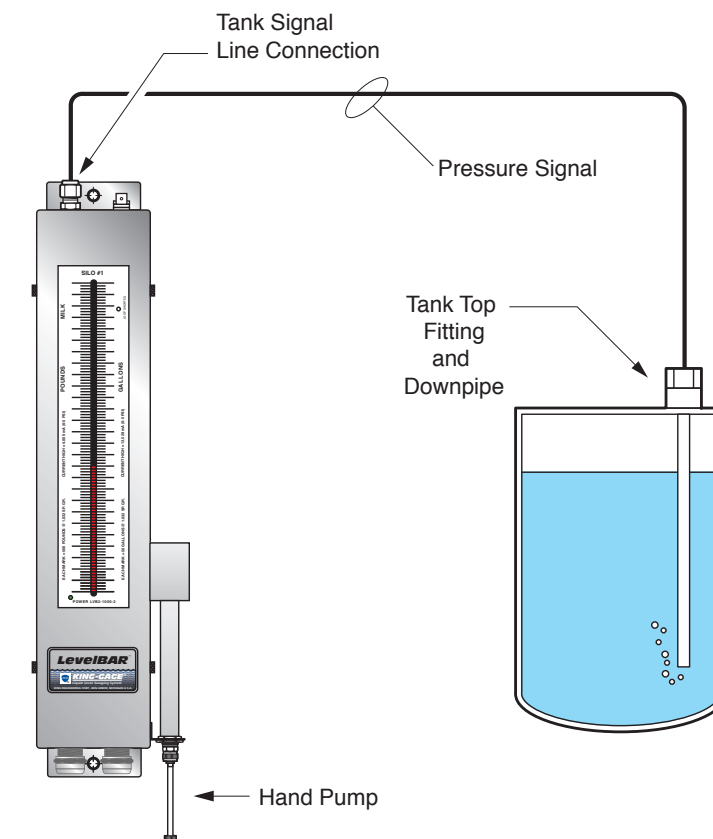
**Signal Tube Installation**

The tubing between the tank downpipe and indicator. Tubing may be copper, nylon or polyflo of the appropriate diameter as recommended to convey the air flow to the downpipe and resulting pressure back to the indicator. Tank signal connection fitting supplied (Figure 6) is intended for 1/4" O.D. tubing.

1. Route tubing to avoid sharp bends and minimize exposure to damage or high traffic areas.
2. Install tube fitting and connect signal tubing at indicator. Tubing must be leak-tight for its entire run. Do not tee into the signal tube for any equipment that consumes air.



**Figure 6** – Tank Signal Connections



**INSTALLATION INSTRUCTIONS**

**KING-GAGE®**  
**LevelBAR HP**  
Hand Pump Indicator  
Model 5110-3x

		DATE	9/27/2010
B	9/10	v2	DRAWN BY D. Kennedy
A	2/10	Released	APPROVED



DWG. NO.	K-1090-1-5130
SHEET 2 OF 2	REV. B