

Service Parts & Dimensions – 1040-1.20

Effective: April, 2008 (replaces Sept, 2005)

Model 788 D/P Purge Control

Part Number Reference:

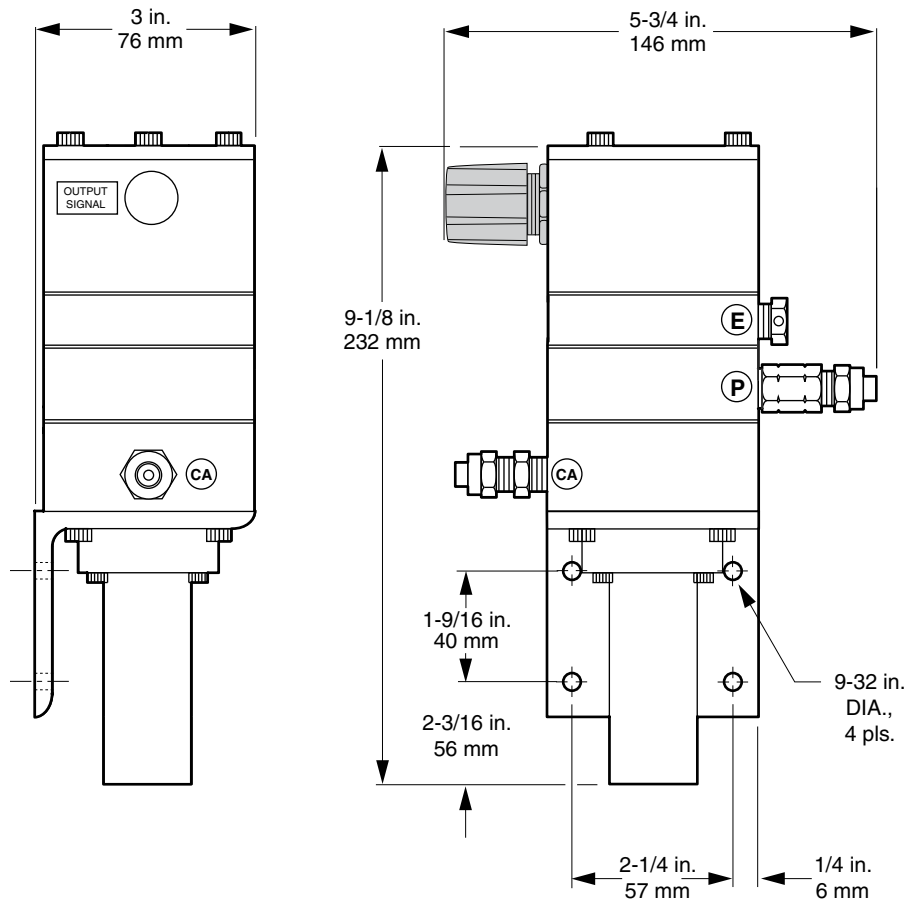
788 - 98 - 1 8

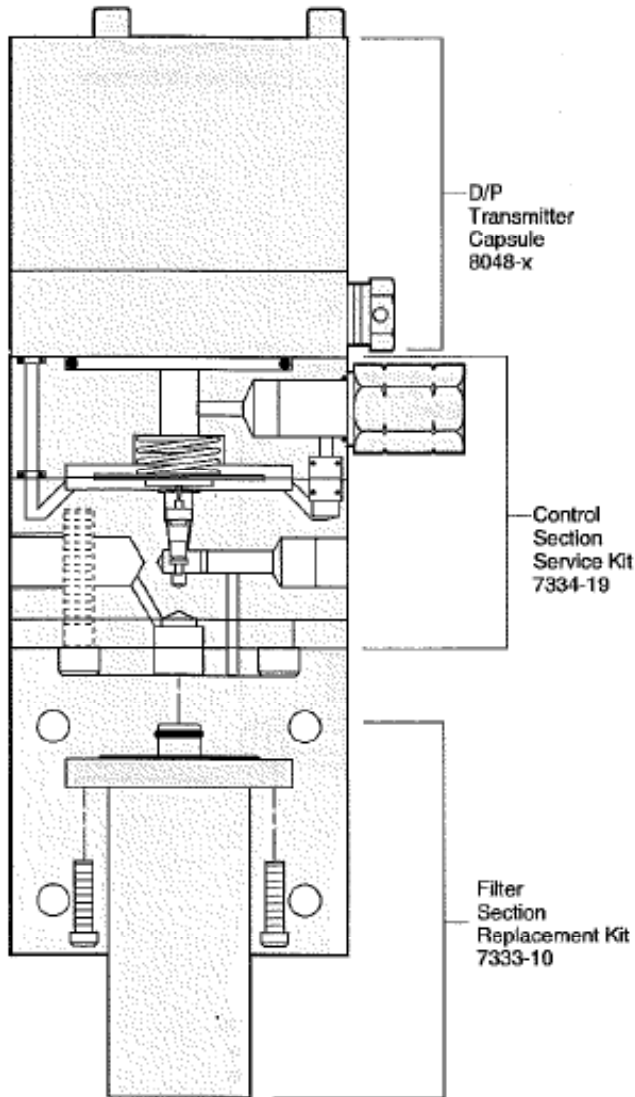
Fittings:
1 - none
3 - Polyflo
4 - Hi Duty

D/P Nominal Range:
5 - 5 psid
6 - 10 psid
7 - 15 psid
8 - 30 psid
9 - 50 psid

Fitting Reference:

P..... Air Purge
CA..... Compressed Air
E..... Equalizer Reference





Purge Control Section Service Kit 7334-19

Description Qty.	Part No.
Replacement Valve Kit.....	3257-1 1
Orifice Assembly	4527-2 1
Diaphragm Assembly	4508-6 1
Spring (long)	6927-7 1
O-Ring	6495-559 2
Guide Rods.....	3022-1.....2

Filter Section Replacement Kit 7333-10

Description Qty.	Part No.
Control Filter.....	7333-1 1
Long Arm Hex Key	7489-1 1
Control Filter Kit	5222-1 1
Filter Kit: O-Ring	6495-226 1
Filter Kit: O-Ring	6495-5 1
Filter Kit: Screws	3028s-5 4

© King-Gage and the KE emblem are registered trademarks of King Engineering Corporation, Ann Arbor, Michigan, U.S.A.

All specifications are subject to change without notice

© 2008 King Engineering Corporation. All rights reserved