

Service Parts & Dimensions – 1050-1.15

Effective: February, 2000 (replaces February, 1999)

Model 738 D/P LiquiSeal Control

Part Number Reference:

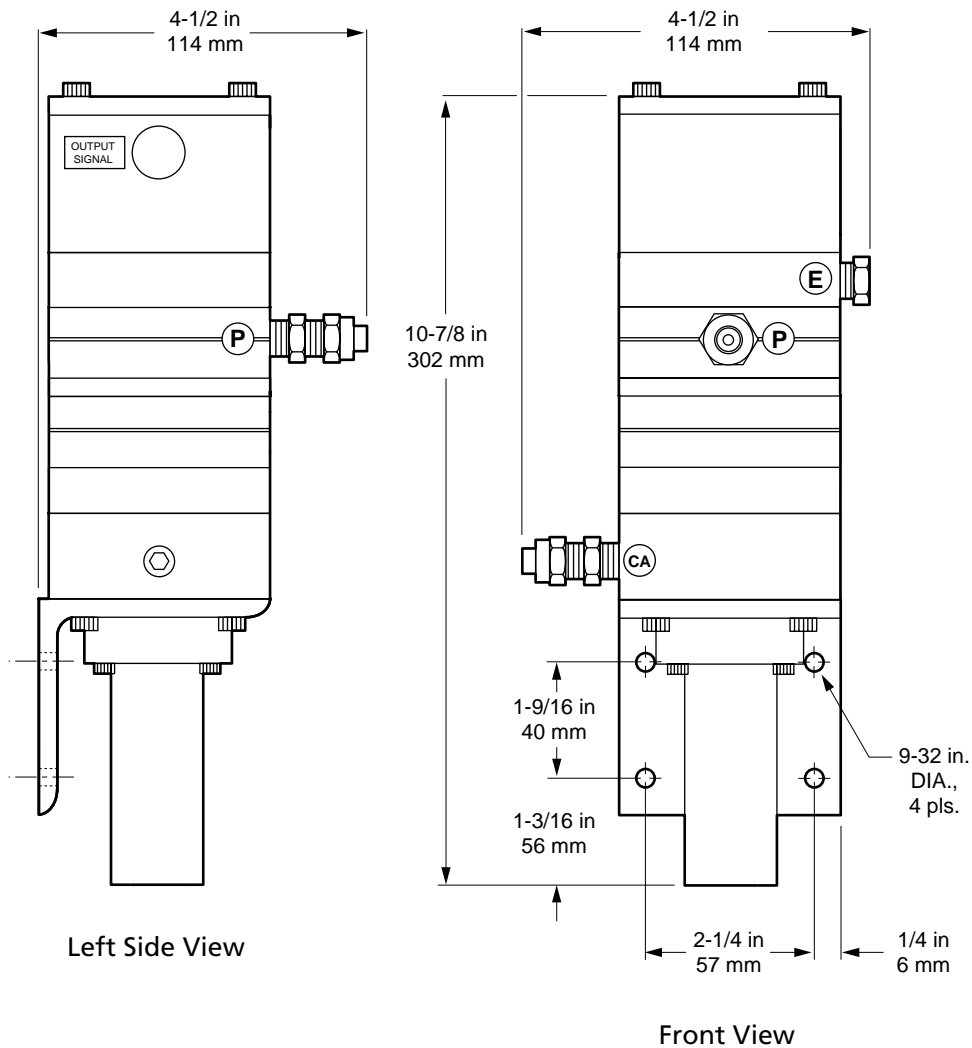
738 - 918 - 1 8

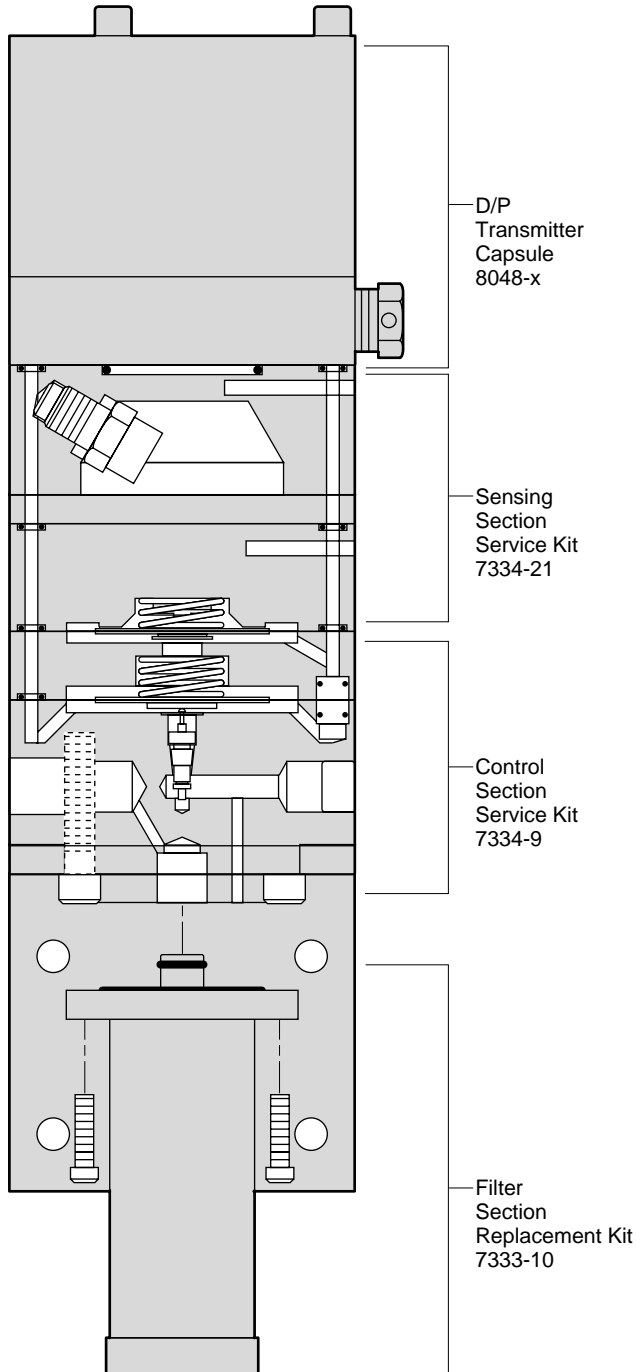
Fittings:
 1 - none
 3 - Polyflo
 4 - Hi Duty

D/P Nominal Range:
 0 - 5 psid
 1 - 10 psid
 2 - 15 psid
 3 - 30 psid
 4 - 50 psid

Fitting Reference:

P..... Air Purge
 CA Compressed Air
 E..... Equalizer Reference





Sensing Section Service Kit 7334-21

Description	Part No.	Qty.
Teflon Gasket	6438-3	1
O-Ring (large)	6495-407	1
O-Ring (small)	6495-559	6
Diaphragm Assembly	4508-5	1
Orifice Check Valve	7366-1	1

Control Section Service Kit 7334-9

Description	Part No.	Qty.
Replacement Valve Kit	3257-1	1
Orifice Assembly	4527-2	1
Diaphragm Assembly	4508-6	1
Spring (long)	6927-7	1
Diaphragm Assembly	4508-7	1
(w/ rubber seat)		
Spring (short)	6927-6	1
O-Ring	6495-559	5

Filter Section Replacement Kit 7333-10

Description	Part No.	Qty.
Filter w/ O-Rings	7333-10	1

© King-Gage and the KE emblem are registered trademarks of King Engineering Corporation, Ann Arbor, Michigan, U.S.A.

All specifications are subject to change without notice

© 1996 King Engineering Corporation. All rights reserved